



GET STARTED

Assembly & User Guide

DEX® II Inversion & Core Training System

For gravity-assisted stretching and decompression

Follow along with these instructions

OR

Scan to download the free BILT app
and search 'Teeter' in app.



BILT.

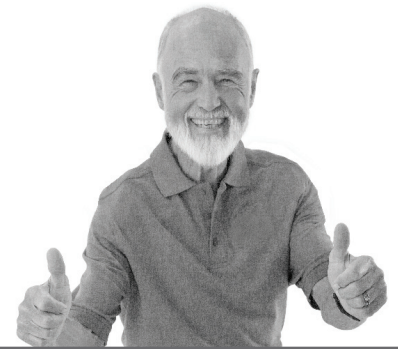


* Specifications may vary from this image and are subject to change without notice.

WELCOME TO THE TEETER FAMILY

Congratulations on your purchase of a Teeter DEX® III! For the best experience, it is critical that you follow the assembly instructions, and read and fully understand the User Settings and How To Invert before inverting. Teeter Decompression Devices are multiple user, reusable medical devices intended to provide traction to the spine while stretching the para-spinal muscle and soft tissues. The devices provide non-powered traction and are meant for use by adults.

Teeter inversion products are FDA-Registered as 510(k) medical devices. Indicated for:



“I created Teeter so people could live healthier and more active lives.”
-Roger Teeter



FDA
REGISTERED

- Back pain
- Muscle tension
- Degenerative disc disease
- Spinal degenerative joint disease
- Spinal stenosis
- Herniated disc
- Spinal curvature due to tight muscles
- Sciatica
- Muscle spasm
- Facet syndrome



CONTACT
CUSTOMER SERVICE

If you have any questions concerning assembly or if any parts are missing, **DO NOT RETURN THE ITEM TO THE STORE OR CONTACT THE RETAILER.** Our dedicated product service experts can help! Contact Teeter Customer Service at **800-847-0143**, or via online forms or Live Chat at **teeter.com**.



5-YEAR
WARRANTY

Trust Teeter for unmatched quality and performance, backed by our industry-leading warranty coverage. To register your product warranty, go to **teeter.com/warranty**.

TABLE OF CONTENTS

Important Safety Instructions	1	User Settings	8-9
Safety Warning Label & Product Specifications	2	How to Invert	10-11
A Guide to Your DEX II	3	Stretching & Exercise	11-12
Items for Assembly	4	Maintenance	12
Assembly Steps	5-7	Warranty Terms & Registration	13

BEFORE YOU BEGIN: Review all steps before beginning assembly and read all precautions before using the DEX II. Carefully adhere to the Assembly Instructions & Use Instructions to help ensure safety and product integrity.

IMPORTANT SAFETY INSTRUCTIONS

READ ALL INSTRUCTIONS BEFORE USING THE DEX II

⚠ WARNING

FAILURE TO FOLLOW INSTRUCTIONS AND WARNINGS COULD RESULT IN SERIOUS INJURY OR DEATH.

To reduce the risk of injury:

- Read and understand all the instructions, review all other accompanying documents, and inspect the equipment before using the DEX® II. It is your responsibility to familiarize yourself with the proper use of this equipment and the inherent risks of inversion if these instructions are not followed, such as falling on your head or neck, pinching, entrapment, equipment failure, or aggravating a pre-existing medical condition. It is the responsibility of the owner to ensure that all users of the product are fully informed about the proper use of the equipment and all safety precautions.
- **DO NOT** use until approved by a licensed physician. Inversion is contraindicated in any medical or health condition that may be made more severe by an elevation of blood pressure, intracranial pressure or mechanical stress of the inverted position, or that may impact your ability to operate the equipment. This may include injury or illness, but also the side effects of any drug or supplement (prescribed or over-the-counter). Specific conditions may include, but not be limited to:
 - Any condition, neurological or otherwise, which results in unexplained tingling, weakness or neuropathy, seizure, sleep disorder, lightheadedness, dizziness, disorientation, or fatigue, or impacts strength, mobility, alertness, or cognitive ability;
 - Any brain condition, such as trauma, history of intracranial bleed, history or risk of TIA or stroke, or severe headaches;
 - Any condition of the heart or circulatory system, such as high blood pressure, hypertension, increased risk of stroke, or use of anticoagulants (including high doses of aspirin);
 - Any bone, skeletal or spinal cord condition or injury, such as significant spinal curvature, acutely swollen joints, osteoporosis, fractures, dislocations, medullary pins or surgically implanted orthopedic supports;
 - Any eye, ear, nasal or balance condition, such as trauma, history of retinal detachment, glaucoma, optic hypertension, chronic sinusitis, middle or inner ear disease, motion sickness, or vertigo;
 - Any digestive or internal condition, such as severe acid reflux, hiatal or other hernia, gallbladder or kidney disease;
 - Any condition for which exercise is specifically directed, limited or prohibited by a physician, such as pregnancy, obesity, or recent surgery.
- **ALWAYS** be certain the equipment is properly adjusted before using. HEAR, FEEL, and SEE that the Locking Pin and Leg Support Adjustment Knob are fully engaged and tightened prior to use.
- **DO NOT** use the equipment until it is adjusted properly for your height and leg size. **ALWAYS** ensure that your hips are aligned with the top edge of the Lap Pad and that your thighs fit snugly, yet comfortably, between the rollers and the Lap Pad, with no room between the back of your thighs and the leg supports.
- New users will require the assistance of a spotter possessing the physical strength to lift and return the user to the upright position.
- **ALWAYS** ensure that your knees are slightly bent during inversion to avoid hyperextension and possible injury. **ALWAYS** ensure you have your balance before completing your dismount.
- **DO NOT** continue using the equipment if you feel pain or become light-headed or dizzy while inverting. Immediately return to the upright position for recovery and eventual dismount.
- **DO NOT** use if you are over 6 ft 6 in (198 cm) or over 350 lbs. (159 kg). Structural failure could occur or head/neck may impact the floor during inversion.
- **DO NOT** allow children to use this machine. Keep children, bystanders, and pets away from machine while in use. The equipment is not intended for use by persons with reduced physical, sensory or mental capabilities.
- **DO NOT** store or use outdoors.
- **DO NOT** use aggressive movements, or use weights, elastic bands, any other exercise or stretching device or non-Teeter® attachments while inverted on the equipment. Use the equipment only for its intended use as described in this manual.
- **DO NOT** drop or insert any object into any opening. Keep body parts, hair, loose clothing and jewelry clear of all moving parts in order to avoid pinching hazard.
- **DO NOT** operate equipment while under the influence of drugs, alcohol, or medication that may cause drowsiness or disorientation.
- **ALWAYS** inspect the equipment prior to use. Make sure all fasteners are secure and the Lap Pad rotates smoothly.
- **ALWAYS** replace defective components immediately and/or keep the equipment out of use until repair.
- Refer to additional warning notices posted on the equipment. If a product label or User Guide should become lost, damaged or illegible, contact Customer Service for replacement.

FACILITY SAFETY INSTRUCTIONS

- It is the responsibility of the facility to evaluate their own clientele to determine who should and should not use the equipment and ensure that all users are fully informed about the proper use of the Dex II, health contraindications, and all safety precautions prior to use. Ensure that these instructions are available to users.
- **ALWAYS** inspect the equipment prior to use. Schedule routine equipment inspections to verify that the unit is clean and functions properly, all parts rotate smoothly, and all fasteners are secure. Cycle the equipment through one complete inversion.
- **ALWAYS** set up and operate the Dex II in an area with sufficient clearance on all sides of the unit on a level surface, away from water or ledges that could lead to accidental immersion or falls. **ALWAYS** ensure the DEX II is clear of walls, equipment and other hard surfaces before operating. Users will require adequate space to rotate.
- **DO NOT** operate if (1) the equipment is not working properly or (2) the equipment has been dropped or damaged.
- If the equipment is damaged or inoperable, keep out of use until repair. **DO NOT** attempt to repair the equipment - there are no user serviceable parts and is not field serviceable. Contact Teeter Customer Support for service. **ALWAYS** dispose of per local regulations.

SAVE THESE INSTRUCTIONS

SAFETY WARNING LABELS & PRODUCT SPECIFICATIONS

Important: Please review all labels and supporting materials before using your DEX II.

This drawing indicates the locations of the warning labels found on your product. If a label is missing, illegible or is removed, contact Teeter Customer Service to request a complimentary replacement label.

Note: Image and labels below not shown at actual size.

WATCH

WARNINGS & INSTRUCTIONS



⚠ WARNING

SERIOUS INJURY OR DEATH MAY OCCUR IF PRECAUTION IS NOT TAKEN DURING USE OR IF IMPROPERLY ASSEMBLED AND INSTALLED.

To reduce this risk:

- **Watch video (scan QR) and review** all instructions before using the DEX® II. It is your responsibility to familiarize yourself with the proper use of the equipment, medical contraindications and the inherent risks of inversion, such as falling on your head or neck, pinching, entrapment or equipment failure.
- **DO NOT** allow children to use the machine. **Keep** children, bystanders, and pets **away** while in use. Keep body parts, hair, loose clothing and jewelry clear of all moving parts.
- **ALWAYS** ensure Locking Pin and Leg Support Adjustment Knob are fully engaged prior to use. **DO NOT** use until adjusted properly for your height and leg size. **ALWAYS** ensure knees are slightly bent during inversion to avoid hyperextension and possible injury.
- **DO NOT** use aggressive movements, or use weights or other exercise devices while inverted on the equipment.
- **Height/Weight Capacity:** 4 ft 8 in - 6 ft 6 in; 350 lb (142 - 198 cm); (158 kg)

Replace Labels & Manuals if Damaged, Illegible, or Removed.

D12010 0523-6

⚠ WARNING

PINCH POINT.
Keep hands clear during operation.





⚠ WARNING

ENSURE THAT ALL ADJUSTMENT KNOBS ARE ENGAGED AND SECURE BEFORE USING EQUIPMENT.

1 **ADJUST USER SETTINGS**



Ensuring proper alignment. Tighten shoulder handle.

2 **REACH & GRIP CANE HANDLES**



Use slow, controlled movements. Breathe normally.

3 **RELAX & STRETCH**



Hold your body. Do not use arms post your shoulder level.

4 **EXIT MACHINE BY REVERSING STEPS**

⚠ WARNING

STOP if you feel discomfort, faint or dizzy.

Assembled Non-Use Dimensions: 41.0 (L) x 29.0 (W) x 48.0 in (H) (104.1 x 73.7 x 114.3 cm)

Maximum In-Use Dimensions: 41.0 (L) x 29.0 (W) x 48.0 in (H) (104.1 x 73.7 x 114.3 cm)

Weight (approx.): 69.7 lb (31.6 kg)

A GUIDE TO YOUR DEX II

Before reading further, study the drawing below to familiarize yourself with the important components of your DEX II.



Parts & Components

- | | | | |
|---|-----------------------------|----|-------------------------------|
| 1 | Leg Supports | 6 | Traction Handles |
| 2 | Leg Support Adjustment Knob | 7 | Height Adjustment Handle |
| 3 | Lap Pad | 8 | Height Adjustment Locking Pin |
| 4 | Main Shaft | 9 | Derattler Knob |
| 5 | Base Feet | 10 | Cane Handles |
| | | 11 | Leg Feet |

ITEMS FOR ASSEMBLY

Parts are not shown to scale.

ITEM NO. ITEM NAME

Base Assembly

H12029B	Base Frame
H12028	Derattler Knob
D11012	Two (2) Base Feet
H12020B	Two (2) Legs
D11013	Two (2) Leg Feet

Lap Pad Assembly

H12026B	Lap Pad Frame
D11005	Lap Pad

ITEM NO. ITEM NAME

Leg Support Assembly

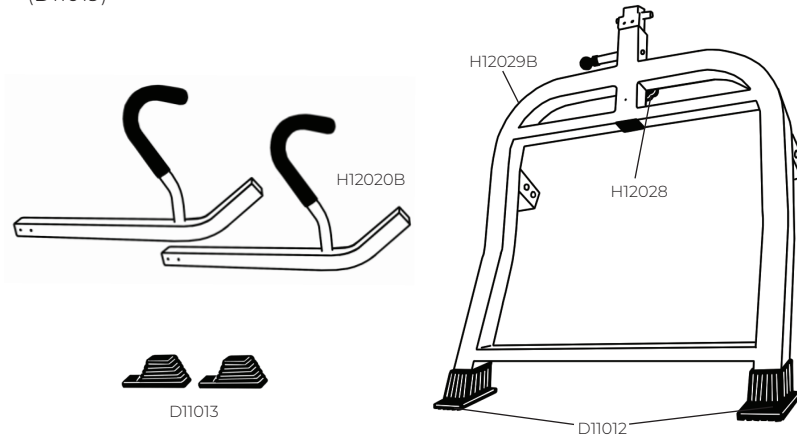
H12036	Leg Support Adjustment Knob
H12039B	Leg Support Shaft

Tools Provided for Assembly

H12014	Two (2) Wrenches (13/14mm)
H12015	Screwdriver

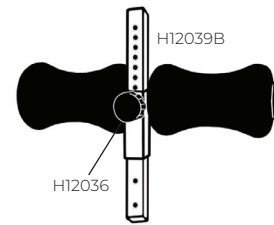
Base Assembly

Use with Base Assembly Hardware Kit (D11019)



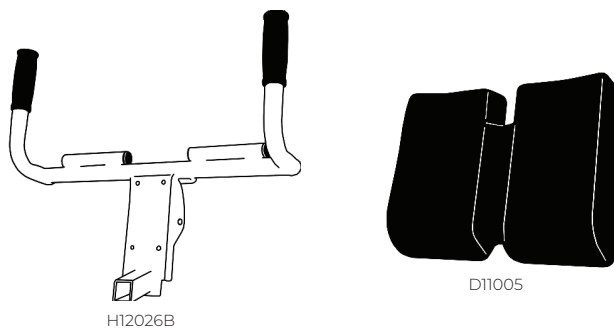
Leg Support Assembly

Use with Leg Support Assembly Hardware Kit (D11021)

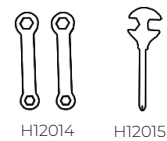


Lap Pad Assembly

Use with Lap Pad Assembly Hardware Kit (D11020)



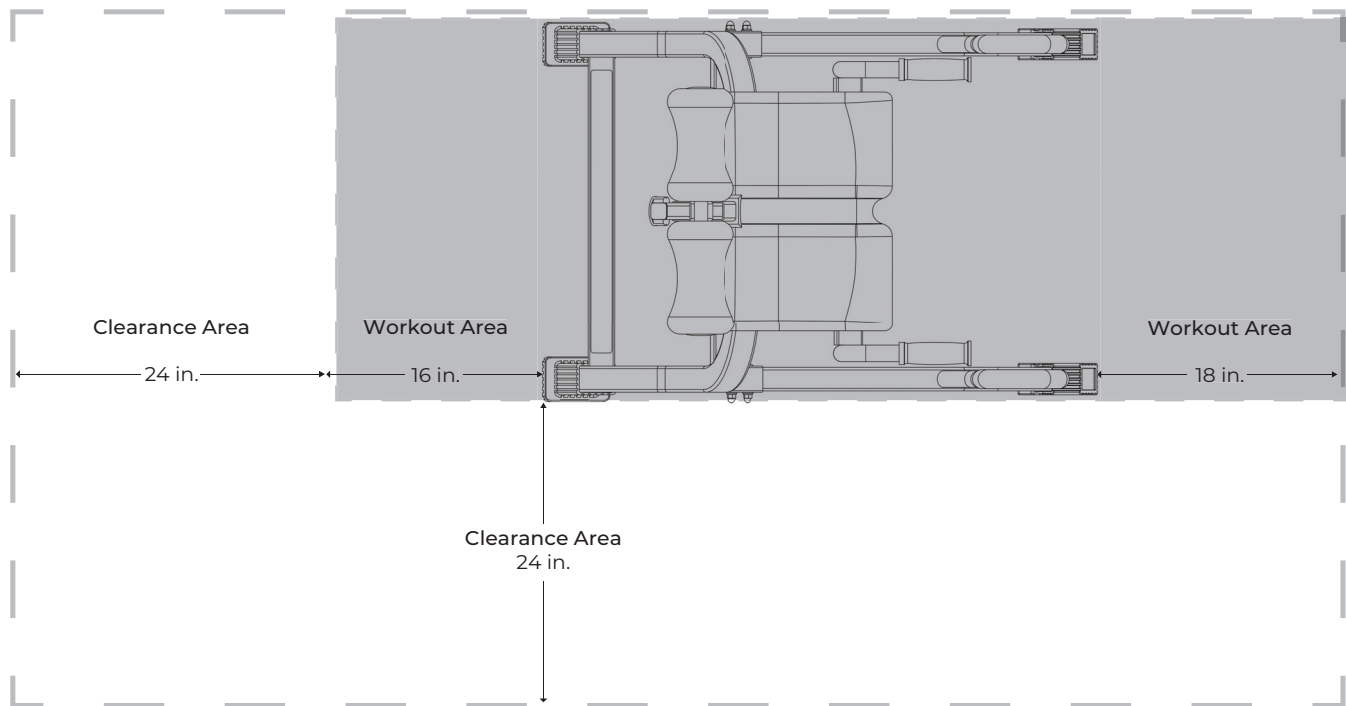
Tools Provided for Assembly



LET'S GET STARTED

Unpack and Prepare Your Workspace

- If possible, assemble the equipment at or near the space in which you intend to use it to avoid moving it later.
- Allow a workout area minimum of 18" in front and 16" in back of the machine.
- Keep an additional free area of 24" clear along the side used to access the machine and to the rear of the machine.
- Unpack all parts and support materials. Set aside packing materials and clear your work area.
- Locate the Hardware Kits packaged with the assembly instructions, labeled to correspond with the assembly process.



STEP 1

ASSEMBLE BASE & LEG FEET

Figure 1a: Slide the Base Feet onto the end of the Base Frame.

Figure 1b: Slide the Leg Feet onto the end of the Legs. Push firmly on all four feet to ensure they are fully mounted.

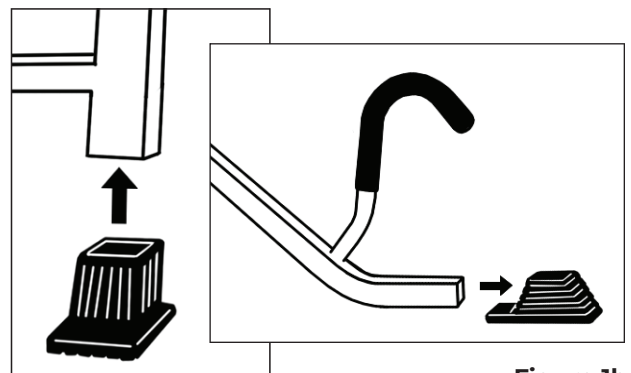


Figure 1a

Figure 1b

STEP 2 ATTACH LEGS TO BASE

Locate the Base Assembly Hardware Kit (D11019).

Figure 2a: With the Cane Handle facing upward, insert one Leg into the Leg Housing of the Base Frame until the two bolt holes align. Insert two Threaded Bolts from the inside of the Leg Housing through the holes. Secure on the outside of the Leg Housing using the Flat Washer, Lock Washer and Bolt Cap, in that order.

Figure 2b: Tighten with the Wrenches provided. Repeat with the other Leg.

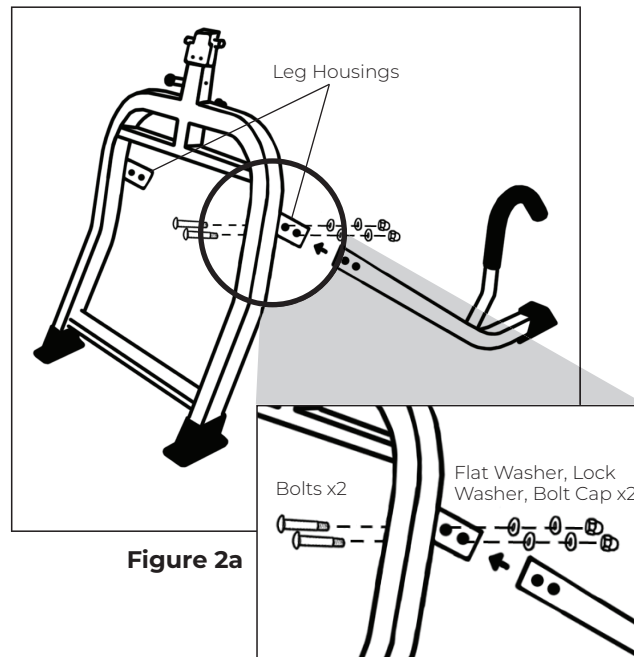


Figure 2a

Figure 2b

STEP 3 ASSEMBLE LAP PAD TO LAP PAD FRAME

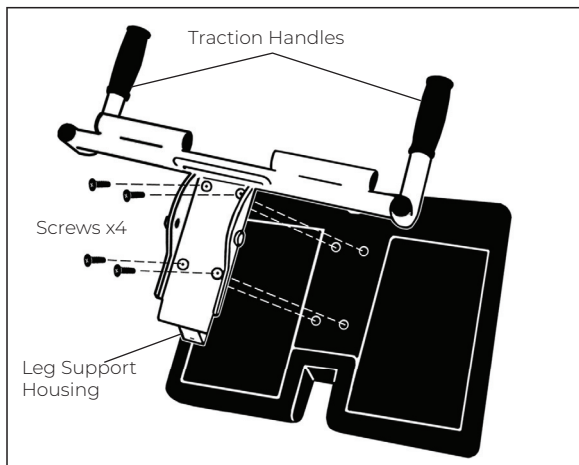


Figure 3

Locate the Lap Pad Assembly Hardware Kit (D11020).

Figure 3: In this step, use only the four (4) small screws. Position the Lap Pad Frame on top of the Lap Pad face-down with the Leg Support Shaft Housing resting inside the indented area of the Lap Pad. Align the screw holes. Insert the screws through the holes and tighten with the Screwdriver.

STEP 4 SECURE LAP PAD TO BASE ASSEMBLY

Locate the Lap Pad Assembly Hardware Kit (D11020).

Figure 4a-4b: Use the remainder of the Lap Pad Hardware Kit (D11020) from Step 3. Thread the Hex Bolt through a Flat Washer and Spacer. Make sure the small end of the Spacer faces away from the head end of the Hex Bolt.

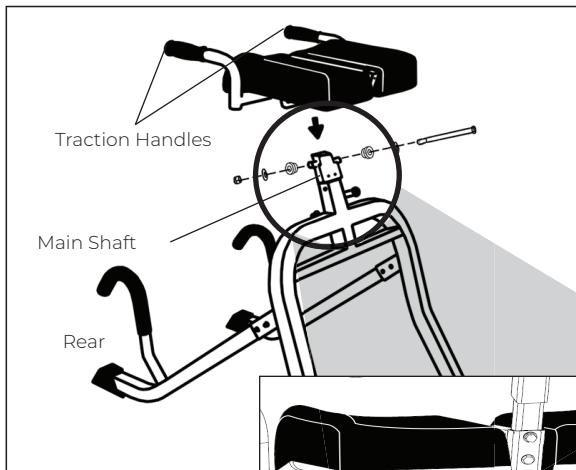


Figure 4a

With the Traction Handles facing the rear of the Base Assembly, place the Lap Pad Assembly over the Main Shaft of the Base Frame and align the holes.

Insert the Hex Bolt with Flat Washer and Spacer through the holes to secure the Lap Pad Assembly to the Main Shaft. Thread the remaining Spacer (with the small end facing the Main Shaft) and Flat Washer onto the end of the Hex Bolt.

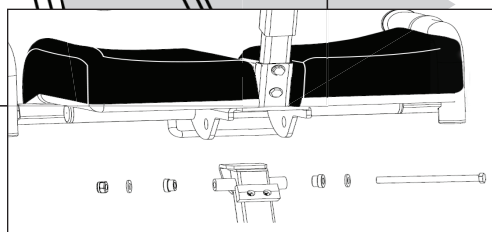


Figure 4b

Figure 4b: Fasten the Hex Nut using the wrenches provided. Make sure the fasteners are securely tightened and the Lap Pad rotates smoothly.

STEP 5 ATTACH LEG SUPPORT TO LAP PAD

Locate the Leg Support Assembly Hardware Kit (D11021).

Figure 5: Thread the washers onto the bolts. With the Leg Support Adjustment Knob facing down, slide the Leg Support Shaft into the receiving end of the Lap Pad Assembly. Lining up the two holes, insert the Hex Bolts with washers. Secure with one of the wrenches provided.

Figure 6: Test that all fasteners are secure and for smooth and steady rotation of the lap pad:

1. Stand between the Cane Handles with your body facing the machine.
2. Grasp the Traction Handles and rotate the Lap Pad toward you.

Apply your full weight to the Traction Handles by lifting your legs off the floor and lightly bouncing.

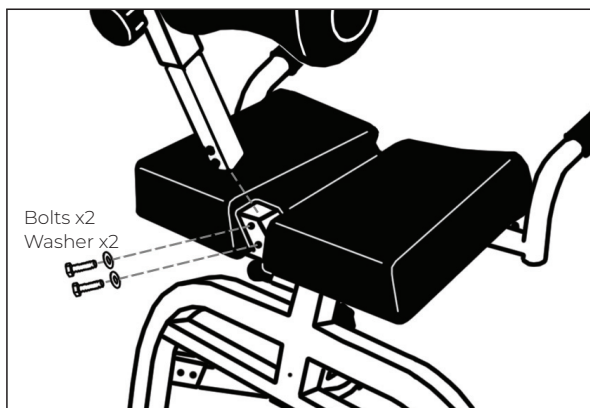


Figure 5

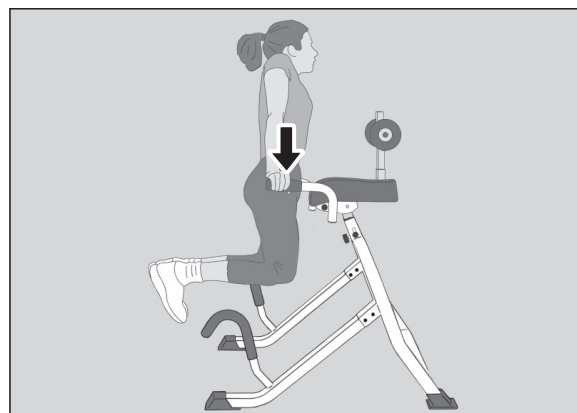


Figure 6

USER SETTINGS

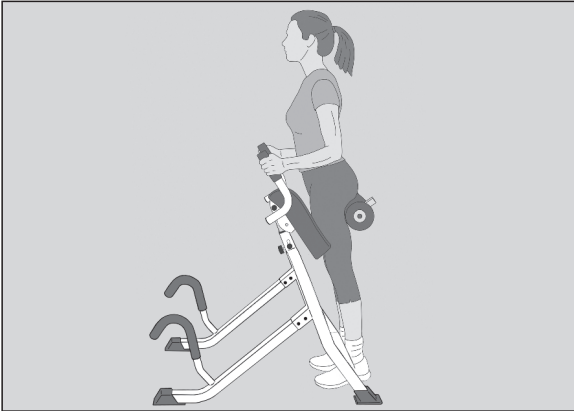


Figure 7a

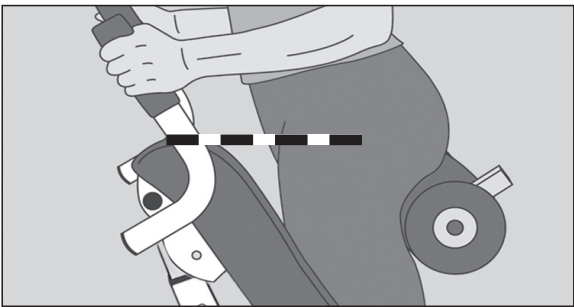


Figure 7b

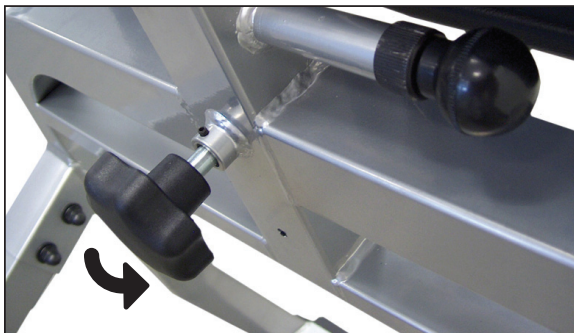


Figure 8

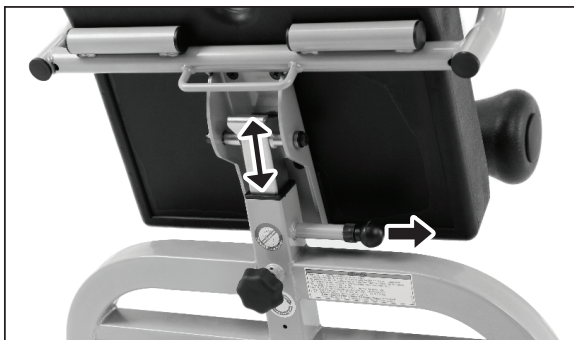


Figure 9

⚠ WARNING

ALWAYS ensure that all parts are assembled correctly and read the User Settings/How to Invert thoroughly before using your Teeter DEX II. Improper assembly or settings could result in serious injury or death!

Adjust the Height of the Lap Pad

Figure 7a-7b: The Lap Pad needs to be adjusted so that while standing on the Base Frame platform, your hips are aligned with the top edge of the Lap Pad.

Figure 8: Loosen the Derattler Knob by rotating it several turns counterclockwise.

Figure 9: While holding the Height Adjustment Handle on the Lap Pad, pull the Height Adjustment Locking Pin and lift or lower the Lap Pad to your ideal height. Release the Locking Pin so that it engages fully into one of the height settings. Tighten the Derattler Knob by rotating clockwise.

Adjust the Depth of the Leg Supports

Figure 10: The depth of the Leg Supports needs to be adjusted so that while standing on the Base Frame platform, your thighs fit comfortably, yet snugly, between the rollers and the Lap Pad. Ensure there is no room between the back of your thighs and the Leg Supports.

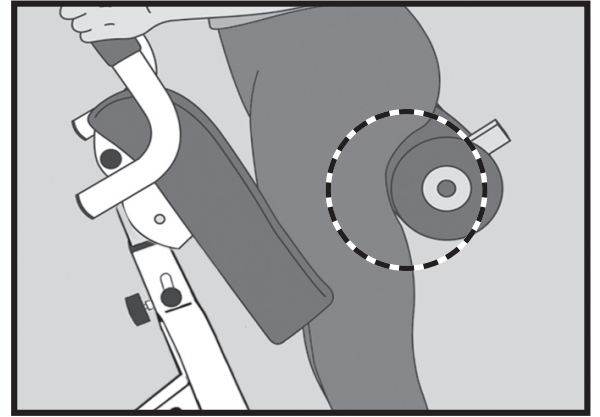


Figure 10

Figure 11: Loosen the Leg Support Adjustment Knob by rotating it several turns counterclockwise, then pull down to disengage the Knob from the hole setting.

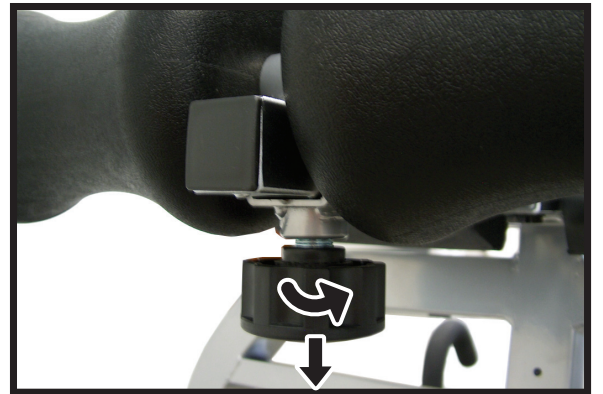


Figure 11

Figure 12: Slide the Leg Supports in or out depending on the size of your legs.

Release the Leg Support Adjustment Knob so that it engages fully into one of the hole settings. Tighten the Leg Support Adjustment Knob by rotating clockwise.



Figure 12

! WARNING

DO NOT use the equipment until it is adjusted properly for your height and leg size. **ALWAYS** ensure that your hips are aligned with the top edge of the Lap Pad and that your thighs fit snugly, yet comfortably, between the supports and the Lap Pad, with no room between the back of your thighs and the leg supports. Improper settings could result in serious injury or death!

HOW TO INVERT

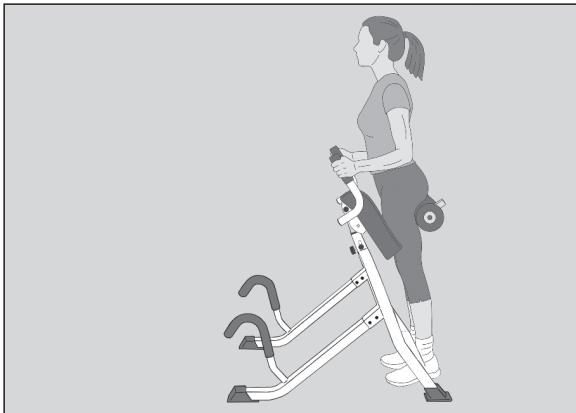


Figure 13

Prior to Inverting

Figure 13: Step onto the platform of the Base Frame with thighs between the Leg Supports and Lap Pad.

Employ the method of “HEAR, FEEL, & SEE” every time prior to inverting:

HEAR the Height Adjustment Locking Pin and Leg Support Adjustment Knob click into place.

FEEL to make sure they are fully engaged and locked in a hole setting, and FEEL that they are fully tightened.

SEE that the top of the Lap Pad is aligned with the top of your hips and SEE that there is NO space between the back of your thighs and the Leg Supports.

⚠ WARNING

ALWAYS ensure the Height Adjustment Locking Pin and Leg Support Adjustment Knob are fully engaged prior to use.

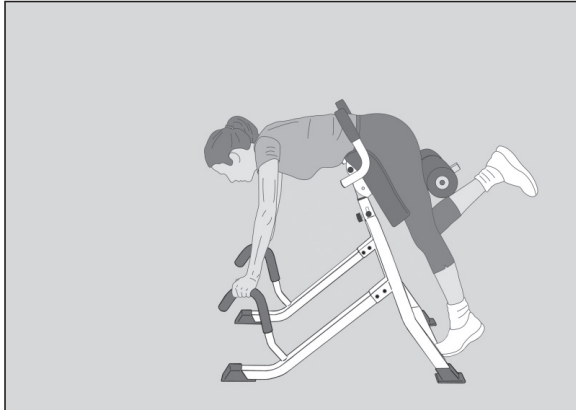


Figure 14

Rotating into Inversion

Figure 14: Bend one knee and slowly lean forward to grab hold of the Cane Handles.

While supporting your weight with the Cane Handles, continue to slowly lean forward and rotate the Lap Pad while lifting and bending the other leg.

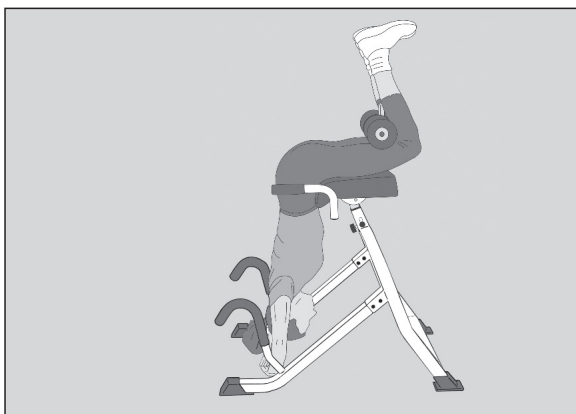


Figure 15

Figure 15: Continue rotation until the Lap Pad reaches the stop position. Your body weight will now be supported by your thighs. Keep both knees bent around the Leg Supports. Allow your hands to rest on the floor or place them folded behind your head.

⚠ WARNING

ALWAYS ensure your knees are bent during inversion. Failure to do so could result in hyperextension and possible injury!

Returning Upright

Figure 16: Push on the Cane Handles to gradually walk yourself upright, rotating the Lap Pad and straightening your legs until standing at the start position. Carefully disengage your thighs from between the Leg Supports and Lap Pad. Ensure you have your balance before completing your dismount.

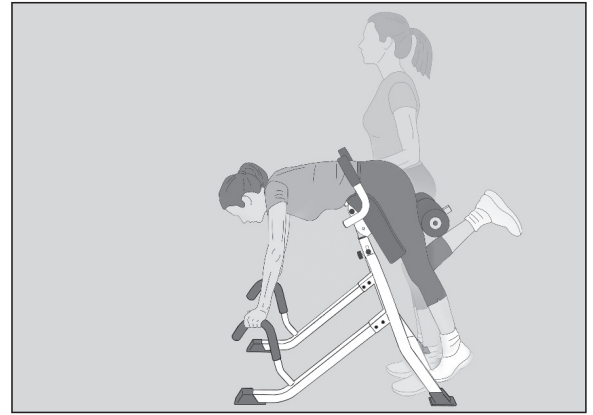


Figure 16

STRETCHING & EXERCISE

The following are a few stretches and exercises you can perform on the DEX II. The following is only a guide - do not advance past your comfort level. If an exercise causes pain, immediately discontinue and eliminate it from your routine.

Traction Stretch

Figure 17: While inverted, push against the Traction Handles located on the sides of the Lap Pad to attain a deeper decompressive stretch. Release and repeat.

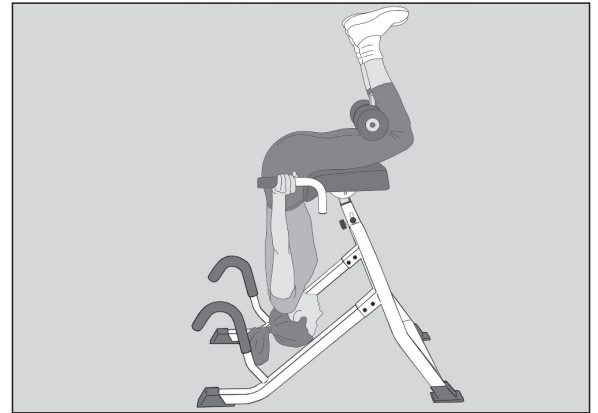


Figure 17

Back Extensions

Figure 18: Hang fully inverted with hands crossed on your chest or folded behind your head. Tighten your glutes and back, and lift your torso up slowly into extension. Make sure to keep abdominal muscles engaged to support the spine.

IMPORTANT: DO NOT use body momentum for the extension or extend past parallel with the floor.

Slowly return to the inverted position and repeat.

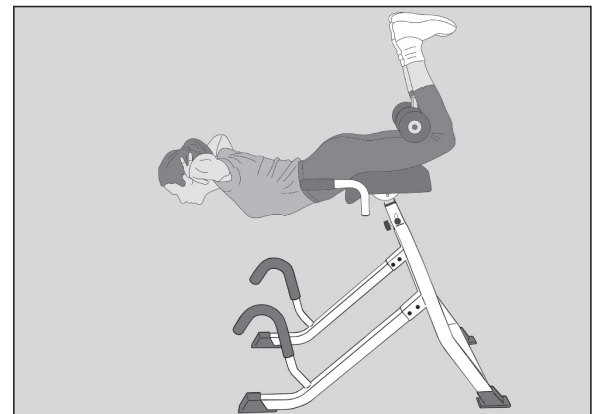


Figure 18

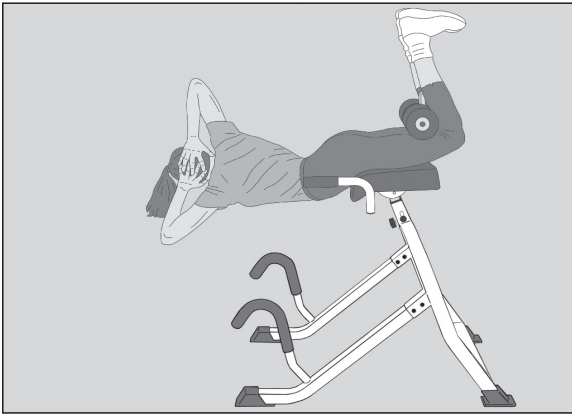


Figure 19

Back Extensions with Rotation

Figure 19: Hang fully inverted with hands crossed on your chest or folded behind your head. Tighten your glutes and back, and lift your torso up slowly into extension. Make sure to keep abdominal muscles engaged to support the spine while extended.

Slightly rotate your torso when extending to work the back extensors and external oblique abdominal muscles.

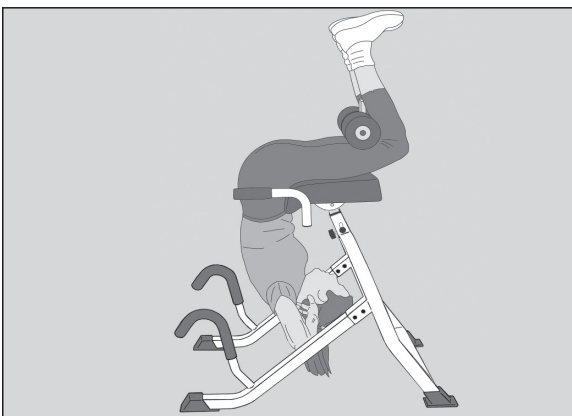


Figure 20

Abdominal Crunches

Figure 20: Hang fully inverted with hands crossed on your chest or folded behind your head. Contract your abdominal muscles, crunching inward toward the base frame. Release and repeat.

MAINTENANCE

The safety and integrity designed into the machine can only be maintained when the equipment is regularly examined for damage and repaired. It is the sole responsibility of the user/owner or facility operator to ensure that regular maintenance is performed. Worn or damaged components shall be replaced immediately or the equipment removed from service until the repair is made.

- Facilities are responsible for the cleaning and maintenance of the equipment. All maintenance activities shall be performed by qualified personnel.
- Regularly wipe down the unit with mild soap and water. DO NOT use abrasive cleaners or solvents.
- Schedule routine equipment inspections to verify that the unit is clean and functions properly, all parts rotate smoothly, and all fasteners are secured.

For replacement parts or assistance, please contact Teeter Customer Service at 800-847-0143 or email info@teeter.com.

The Teeter warranty set forth below and on Teeter's website applies to US and Canadian customers only. For international customers, please consult your local distributor for warranty information which will vary depending on country.



**5-YEAR
WARRANTY**

During the period starting with the day of retail purchase and continuing for five (5) years, Teeter extends to the owner a repair and replacement warranty against manufacturing defects in materials, workmanship, fabrics and padding. Teeter will repair or replace any such defect and will pay the costs of all parts, labor and transportation. If a repair or replacement is not commercially practical or cannot timely be made, then Teeter will, at the original Purchaser's option, replace with a comparable product or refund the purchase price.

Handling and transportation costs related to product warranty service only are covered by this warranty. This warranty does not cover damage resulting from improper handling, assembly, or installation, repairs made by others, accident, misuse, or abuse. Under no circumstances shall Teeter, or any other party involved in the sale of this product, have any liability for incidental or consequential damage arising from breach of an express or implied warranty on any Teeter product.

EXCEPT AS SET FORTH ABOVE, NO WARRANTY IS GIVEN WITH RESPECT TO ANY TEETER PRODUCT, AND ALL EXPRESS WARRANTIES ARE DISCLAIMED. This warranty shall be governed by the laws of the State of Washington, USA. To the extent this warranty is found not to be enforceable, it shall be deemed revised to the extent necessary to make it enforceable. This warranty and any controversy or claim arising out of this warranty or its interpretation shall be governed by the laws of the State of Washington, USA. Any controversy or claim arising out of or relating to this warranty, its interpretation, or any alleged breach thereof, which cannot be amicably settled between Teeter and the owner within sixty (60) days of written notice by the aggrieved party to the other, shall be finally settled by arbitration submitted to three (3) arbitrators selected from the panels of the arbitrators of the American Arbitration Association located closest to Teeter's principal place of business.

Some states do not allow the exclusion of incidental or consequential damage from a warranty, so the above limitation or exclusion may not apply to you. Some states do not allow limitations on how long an implied warranty lasts, so the above limitation may not apply to you. This warranty gives you specific legal rights, and you may also have other rights which may vary from state to state.

10-YEAR PREMIUM EXTENDED WARRANTY AVAILABLE

Purchase an additional 5 years of repair and replacement warranty against manufacturing defects in materials and workmanship. Visit teeter.com to purchase and view full terms and conditions.

HOW TO SUBMIT YOUR REGISTRATION:

Step 1

Fill out this information for your own records.

Step 2

Go online to teeter.com to register your warranty.

Date of Purchase

Product & Model

Dealer Name

Serial No. (located on Base Frame)

If you are unable to go online, you can request a warranty card to be mailed to you by calling Customer Service at 800-847-0143.

Please **DO NOT** mail this to Teeter.



Find These Great Products and More at teeter.com!

Power10™ Elliptical Rower

Torch more calories and enhance muscle definition with one revolutionary rower. The patented elliptical path offers bi-directional resistance so you can engage more muscles with every workout.



FreeStep® Recumbent Cross Trainer

Zero-impact cardio and strength! The ONLY home-use machine with patented smooth-stride technology found in high-end seated physiotherapy steppers.



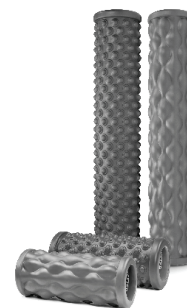
FitForm™ Cable Trainer

Total body strengthening in one small package! Work your arms, legs and core with micro-adjusting resistance up to 65 lb.



Better Back™ Foam Rollers

Prepare the body for movement, accelerate recovery, minimize muscular imbalances, and improve overall flexibility with the Teeter collection of textured Foam Rollers.

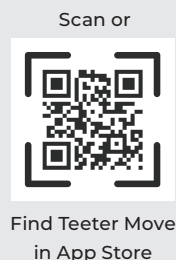


TEETER MOVE®



Inspire Your Workouts

The free Teeter Move App offers guided workout classes from professional trainers to maximize your sessions on the DEX II and help you reach your goals.



If you have any trouble assembling the equipment, or questions about its use, please contact customer service at

800-847-0143

info@teeter.com

Teeter Decompression Devices are multiple user, reusable devices for home use, intended to provide traction to the spine while stretching the para-spinal muscles and soft tissues. The devices provide non-powered traction and are meant for use by adults.

Use of the Teeter Decompression Devices is indicated for the following conditions: back pain, muscle tension, degenerative disc disease, spinal degenerative joint disease, spinal stenosis, herniated disc, spinal curvature due to tight muscles, sciatica, muscle spasm, and facet syndrome.



U.S. and Foreign Patents Apply. Teeter and Teeter logo are registered trademarks of Teeter. Specifications subject to change without notice.

© COPYRIGHT 2023 Teeter. International Law Prohibits Any Copying. LD2020B 0523-0