

FreeStep®

Model LT1 (SE2001) and LT3 (SE2301)

**FASTER, BETTER
RESULTS WITH
TEETER SUPPORT
& COACHING**



ASSEMBLE FASTER

Free BILT app puts easy 3-D instructions at your fingertips. Search 'Teeter FreeStep' in BILT to get started.



FREE EXERCISE GUIDE

Register your warranty and gain access to your free exercise guide. Scan or go to teeter.com/warranty



REACH YOUR GOALS


Access on-demand, trainer-led programs with the free Teeter Move app for fun, challenging and effective workouts.



NEED HELP? CONTACT US.

 Phone: 800-847-0143

 Email: info@teeter.com

 Live Chat: teeter.com



WELCOME TO THE TEETER FAMILY

Congratulations on your purchase of the Teeter FreeStep! In order to utilize this product to its fullest extent, it is critical that you follow, read, and fully understand the Assembly Instructions & User Guide. The FreeStep is a multiple user, reusable device for home use, intended to provide a comfortable, zero-impact workout for adults.



“ I created Teeter so people could live healthier and more active lives. ”

-Roger Teeter

We've Got Your Back!



If you have any questions concerning assembly or if any parts are missing, **DO NOT RETURN THE ITEM TO THE STORE OR CONTACT THE RETAILER.**

Our dedicated product service experts can help! Contact Teeter Customer Service at **800-847-0143**, or via online forms or Live Chat at **teeter.com**.



Trust Teeter for unmatched quality and performance, backed by our industry-leading warranty coverage. To register your product warranty, go to **teeter.com/warranty**

TABLE OF CONTENTS

Assembly Instructions

Important Safety Instructions.....	1
Items for Assembly.....	2
A Guide to Your FreeStep.....	3
Safety Warning Labels and Product Specifications.....	4
Assembly Steps	5-12

User Guide

Use Instructions.....	13-19
Warranty and Registration.....	20

BEFORE YOU BEGIN: Review all steps before beginning assembly and read all precautions before using the Teeter FreeStep. Carefully adhere to the Assembly Instructions and User Guide to help ensure safety and product integrity.

IMPORTANT SAFETY INSTRUCTIONS

READ ALL INSTRUCTIONS BEFORE USING THE TEETER FREESTEP

WARNING

FAILURE TO FOLLOW INSTRUCTIONS AND WARNINGS COULD RESULT IN SERIOUS INJURY OR DEATH.

To reduce the risk of injury:

- Read and understand all the instructions, review all other accompanying documents, and inspect the equipment before use. It is your responsibility to familiarize yourself with the proper use of this equipment and the inherent risks of exercise equipment if these instructions are not followed, such as, pinching, entrapment, equipment failure, or aggravating a pre-existing medical condition. It is the responsibility of the owner to ensure that all users of the product are fully informed about the proper use of the equipment and all safety precautions.
- **ALWAYS** consult with your doctor before beginning any exercise or weight-loss program, especially if you are over the age of 35 or have any known pre-existing medical problems. This may include injury or illness, but also the side effects of any drug or supplement (prescribed or over-the-counter).
- The instructions and advice presented in this User Guide are in no way intended as a substitute for medical advice or counseling.
- **DO NOT** continue using the equipment if you feel pain, discomfort, shortness of breath, chest tightness, or become light-headed or dizzy while exercising. **STOP** and seek medical advice. Call 911 if you are having an emergency health condition.
- **DO NOT** use if you are over 300 lb (136 kg). Structural failure and physical injury could occur.
- **ALWAYS** ensure that all adjustable features are accurately adjusted to the users' body proportions and all parts are fully tightened and secured before use. **ALWAYS** hold the Handles or Seat Handles when mounting, dismounting, or using equipment.
- **DO NOT** place hands or feet near linkages while in use. The linkages are flywheel driven and can cause serious injury, entrapment, or death. **DO NOT** allow pets or children to approach the linkage while it is moving.
- **DO NOT** place any objects within a 24" (61 cm) radius of the machine. Do not place any objects or body parts behind the pivot area of the pedals.
- **ALWAYS** reduce pedal speed in a controlled manner. Pedals continue to spin when you stop pedaling.
- **DO NOT** allow children to use this machine. Keep children, bystanders, and pets away from machine at all times and **DO NOT** allow children to be left unattended in the same room as the equipment. The FreeStep is not intended for use by persons with reduced physical, sensory or mental capabilities, unless they are given supervision and instruction concerning use of the machine by a person responsible for their safety.
- **ALWAYS** wear appropriate clothing while exercising with the machine. **DO NOT** wear loose clothing that could get entangled in the equipment. **ALWAYS** wear athletic shoes to protect feet while exercising with the machine.
- **ALWAYS** store indoors and on a level surface. This equipment is not intended for outdoor use.
- **DO NOT** use in any commercial, rental or institutional setting. This product is intended for home-use only.
- **ALWAYS** use this equipment only for its intended use as described in this manual. **DO NOT** use attachments not recommended by manufacturer.
- **DO NOT** drop or insert any object into any opening or place any sharp objects near the equipment. Keep body parts, hair, loose clothing and jewelry clear of all moving parts.
- **DO NOT** operate equipment while under the influence of drugs, alcohol, or medication that may cause drowsiness or disorientation.
- **ALWAYS** inspect the equipment prior to use. Make sure all fasteners are secure and adjustable settings are secure.
- **ALWAYS** replace defective components immediately and/or keep the equipment out of use until repaired.
- **ALWAYS** position equipment on a level surface and away from water or ledges that could lead to accidental immersion or falls.
- **ALWAYS** use a damp cloth when cleaning. **DO NOT** use abrasive soaps or solvents to clean as this could cause damage to the machine.
- Refer to additional warning notices posted on the equipment. If a product label or User Guide should become lost, damaged or illegible, contact Customer Service for replacement.

SAVE THESE INSTRUCTIONS

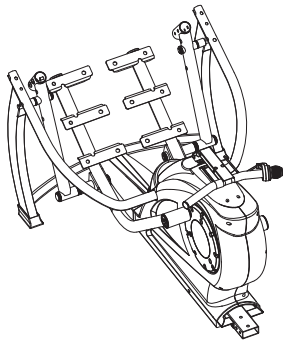
ITEMS FOR ASSEMBLY

Parts are not shown to scale. Parts may vary slightly from images depending on model.

ITEM NO.	ITEM NAME
Base	
SE2101	Base (LT1)
SE2332	Base (LT3)
Rear Stabilizer	
SE1102	Rear Stabilizer
HK1042	Step 1a Hardware Kit
Rear Stabilizer Cover Set	
SE1103	Rear Stabilizer Cover (2)
HK1043	Step 1b Hardware Kit
Pedals	
SE2104	Pedal (2) (LT1)
SE2304	Pedal (2) (LT3)
HK2044	Step 2 Hardware Kit
Seat Back Assembly	
SE1105	Seat Back Assembly
HK1045	Step 3a Hardware Kit
Lower Seat	
SE1106	Lower Seat (LT1)
SE2306	Lower Seat (LT3)
HK1046	Step 3b Hardware Kit

ITEM NO.	ITEM NAME
Console Front Support Bar	
SE1107	Console Front Support Bar
HK1047	Step 4a Hardware Kit
Handle Support Tubes	
SE2108	Handle Support Tube (2)
HK1048	Step 4b Hardware Kit
Pedal Arm Joint Cover Sets	
SE1109	Pedal Arm Joint Cover (4)
HK1049	Step 5 Hardware Kit
Upper Front Leg Cover Set	
SE1110	Upper Front Leg Cover (4)
HK1049	Step 5 Hardware Kit
Handles	
SE1111	Handle (2) (LT1)
SE2311	Handle (2) (LT3)
Tools	
SE1112	Allen Wrench / Screwdriver

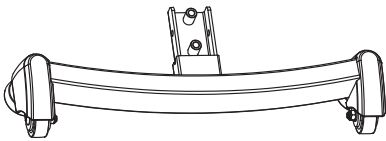
Base



SE2101 (LT1) / SE2332 (LT3)

Rear Stabilizer

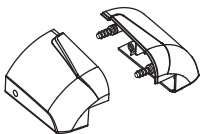
Use with Step 1a Hardware Kit (HK1042)



SE1102

Rear Stabilizer Cover Set

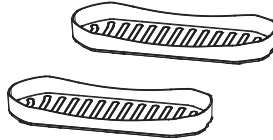
Use with Step 1b Hardware Kit (HK1043)



SE1103

Pedals

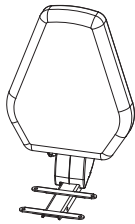
Use with Step 2 Hardware Kit (HK2044)



SE2104 (LT1) / SE2304 (LT3)

Seat Back Assembly

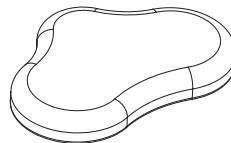
Use with Step 3a Hardware Kit (HK1045)



SE1105

Lower Seat

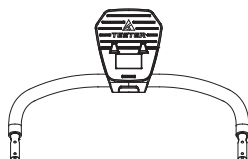
Use with Step 3b Hardware Kit (HK1046)



SE1106 (LT1) / SE2306 (LT3)

Console Front Support Bar

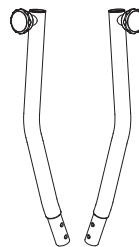
Use with Step 4a Hardware Kit (HK1047)



SE1107

Handle Support Tubes

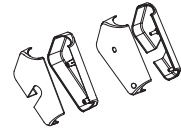
Use with Step 4b Hardware Kit (HK1048)



SE2108

Pedal Arm Joint Cover Sets

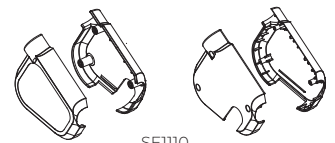
Use with Step 5 Hardware Kit (HK1049)



SE1109

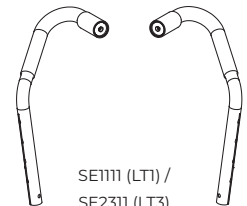
Upper Front Leg Cover Sets

Use with Step 5 Hardware Kit (HK1049)



SE1110

Handles



SE1111 (LT1) / SE2311 (LT3)

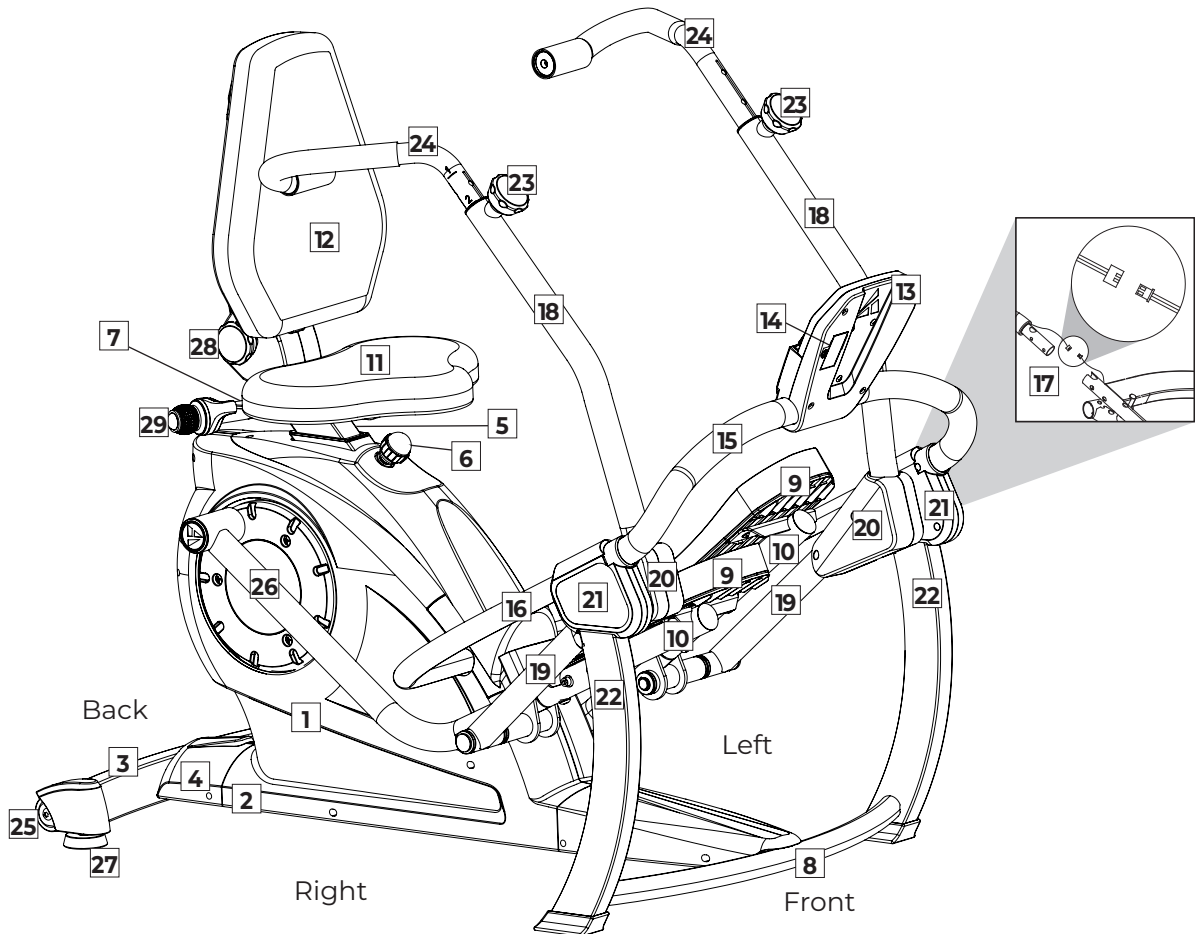
Tools Provided for Assembly



Allen Wrench /
Screwdriver
SE1112

A GUIDE TO YOUR FREESTEP

Before reading further, study the drawing below to familiarize yourself with the important components of your Teeter FreeStep.



Identifying Parts and Components

1	Base
2	Main Support Tube
3	Rear Stabilizer
4	Rear Stabilizer Cover Set
5	Seat Post
6	Height Adjustment Knob
7	Seat Handle
8	Front Crossbar
9	Pedals

10	Base Pedal Arms
11	Lower Seat
12	Seat Back Assembly
13	Console
14	Battery Compartment
15	Console Front Support Bar
16	Lower Console Support Tube
17	Speed Sensor Wire
18	Handle Support Tubes

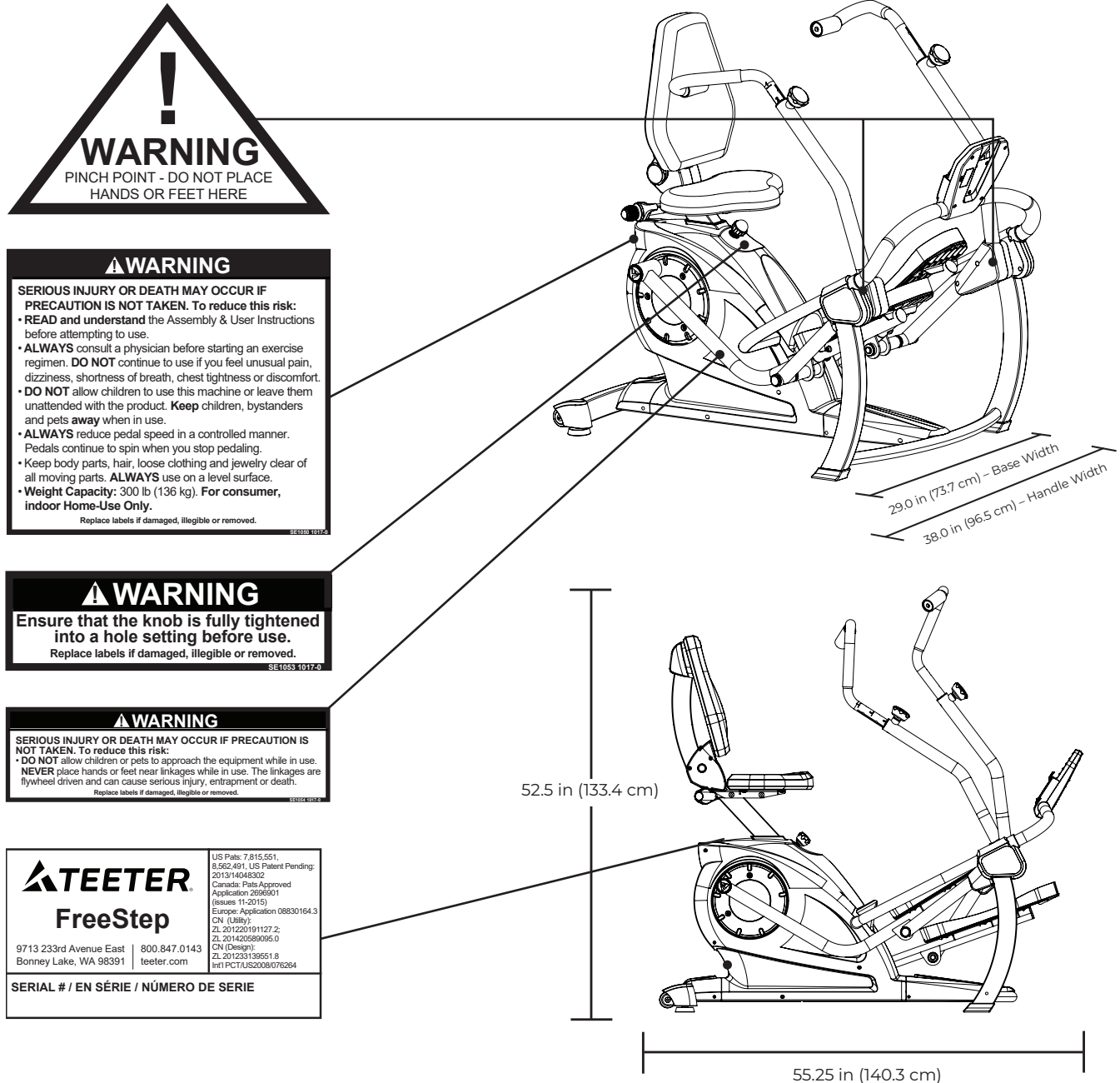
19	Upper Pedal Arm
20	Pedal Arm Joint Cover Sets
21	Upper Front Leg Cover Sets
22	Upper Front Leg
23	Handle Adjustment Knobs
24	Handles
25	Transport Wheels
26	Linkage
27	Leveling Feet
28	Seat Back Adjustment Knob
29	Resistance Adjustment Knob

SAFETY WARNING LABELS & PRODUCT SPECIFICATIONS

Important: Please review all labels and supporting materials before using your FreeStep.

This drawing indicates the locations of the warning labels found on your product. If a label is missing, illegible or is removed, contact Teeter Customer Service to request a complimentary replacement label.

Note: Image and labels below not shown at actual size.



Dimensions: 55.25 x 29.0 x 52.5 in (140.3 x 73.7 x 133.4 cm) – Base Width
55.25 x 38.0 x 52.5 in (140.3 x 96.5 x 133.4 cm) – Handle Width

Weight (approx.): Model LT1 106.9 lb (48.5 kg) Model LT3 110.2 lb (50.0 kg)

 FreeStep	US Patrs: 7,815,551, 8,562,491, US Patent Pending: 201314048302 Canada: Patrs Approved Application 2006901 (issues 11-2015) Europe: Application 08830164.3 CN (Utility): ZL 201220191127.2; ZL 20142058095.0 CN (Design): ZL 20123319551.8 Int'l PCT/US2009/073264
	9713 233rd Avenue East 800.847.0143 Bonney Lake, WA 98391 teeter.com
SERIAL # / EN SÉRIE / NÚMERO DE SERIE	

Your actual model may vary from the model shown.

Unpack and Prepare Your Workspace

- Follow the instructions on the outside of the box for the easiest unpacking process.
- If possible, assemble the equipment at or near the space in which you intend to use it to avoid moving it later.
- Unpack all parts and support materials. Set aside packing materials and clear your work area.
- Locate the Hardware Kits inside the box. They are labeled to correspond with the assembly process.

STEP 1 ASSEMBLE REAR STABILIZER

NOTE: Always hand tighten all the bolts or screws in each step before fully tightening with the wrench or screwdriver. For reference, the Front, Back, Right and Left of the equipment is labeled on Page 3.

Attach Rear Stabilizer

Figure 1: Remove the Base from the packaging and position it on a level surface on the floor.

Remove the wooden plug from the Main Support Tube in the back of the Base and set aside.

Lift the Base slightly from the back and insert the Rear Stabilizer into the Main Support Tube at the back of the Base.

TIP: The wooden plug can be used to prop up the base to make inserting the screws into the Rear Stabilizer easier.

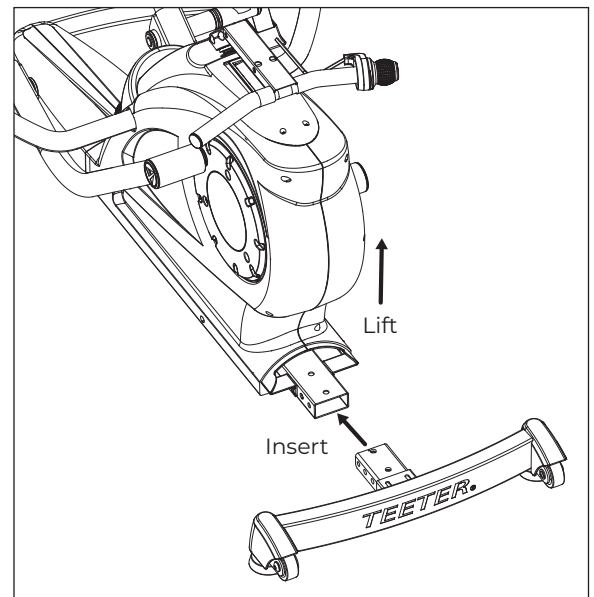


Figure 1

Figure 2: Use the **Step 1a Hardware Kit** to attach the Rear Stabilizer.

First hand tighten 6 × Bolts with 6 × Spring washers and 6 × Washers on the Rear Stabilizer Joint. The Spring Washers should always be between the Bolt Head and the Washer.

Use the Allen wrench to fully tighten each bolt.

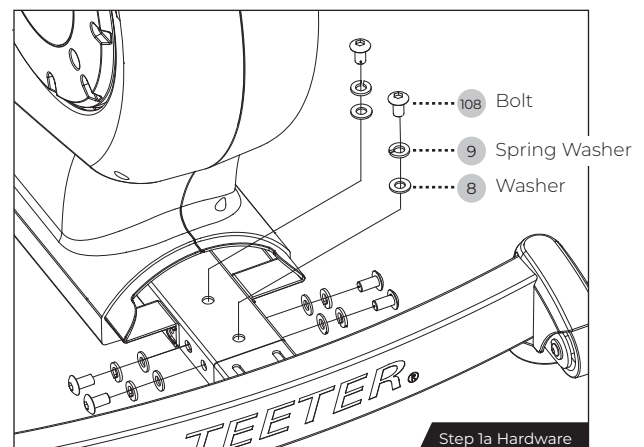


Figure 2

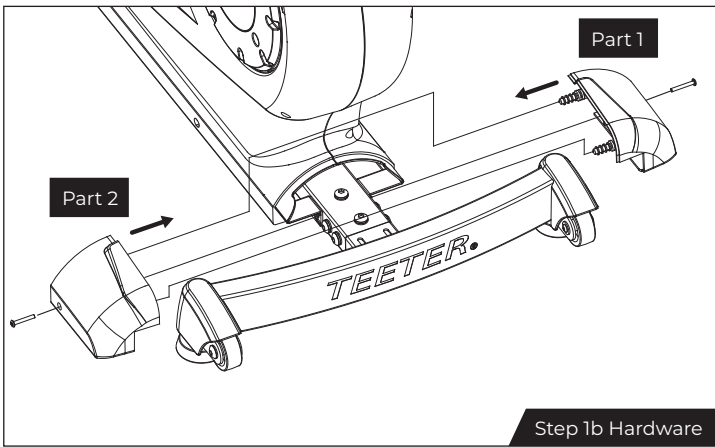


Figure 3

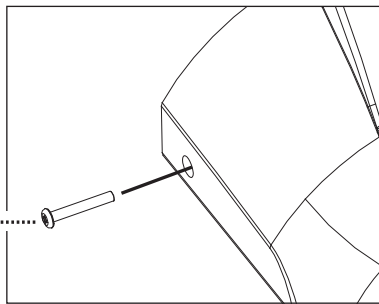


Figure 3A

Attach Rear Stabilizer Cover Set

Figure 3: Locate the Rear Stabilizer Cover Set, noting the Right and Left markings, and the **Step 1b Hardware Kit**.

Part 1 Complete this first before Part 2.

Attach the Right Rear Stabilizer Cover by loosely tightening the 1 x Machine Screw.

Part 2

Attach the Left Rear Stabilizer Cover to the Right by joining the alignment pegs and pushing together for a snug fit.

Insert 1 x Machine Screw to secure the Left Rear Stabilizer, then finish tightening both Machine Screws with the Screwdriver.

STEP 2 ASSEMBLE PEDALS

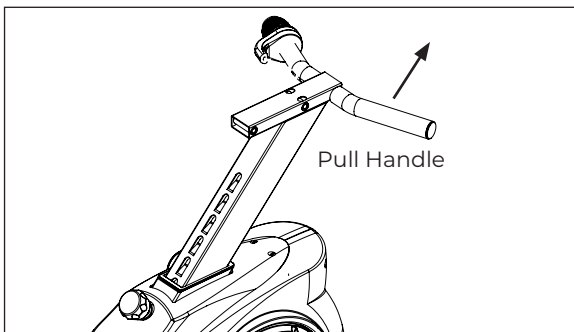


Figure 4

Figure 4: Locate the Seat Post and raise it to the highest position by loosening the Height Adjustment Knob and pulling up on the Seat Handle.

CAUTION

Use caution to avoid tipping and when lifting heavy objects.

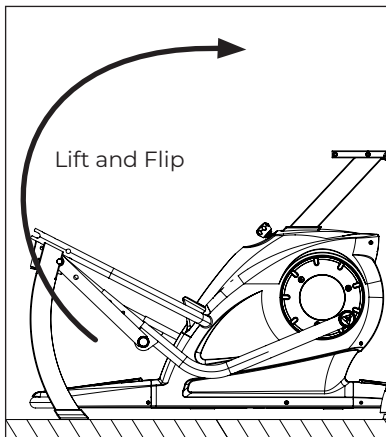


Figure 5

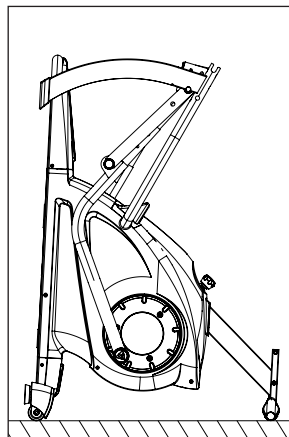


Figure 6

Figures 5-6: To have better access while installing the pedals, position the FreeStep to rest on its back side by lifting up on the Front Crossbar and rotating on the Rear Stabilizer until the Seat Post is resting on the ground.

Figure 7: Locate the Pedals, noting Right and Left markings. Align each Pedal to the corresponding Base Pedal Arm.

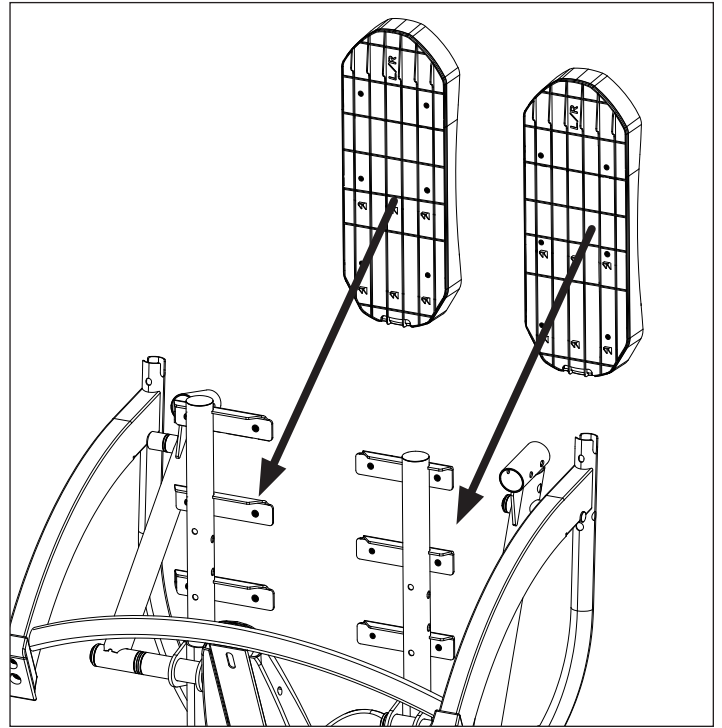


Figure 7

Figure 8: Use the **Step 2 Hardware Kit** to attach the Pedals. Hand tighten 12 × Phillips Head Screws with 12 × Washers as shown.

Proceed to fully tighten all the Phillips Head Screws with the Phillips Head Screwdriver.

Once the Pedals are installed, return the FreeStep to the upright position by lowering the Front Crossbar and rotating on the Rear Stabilizer.

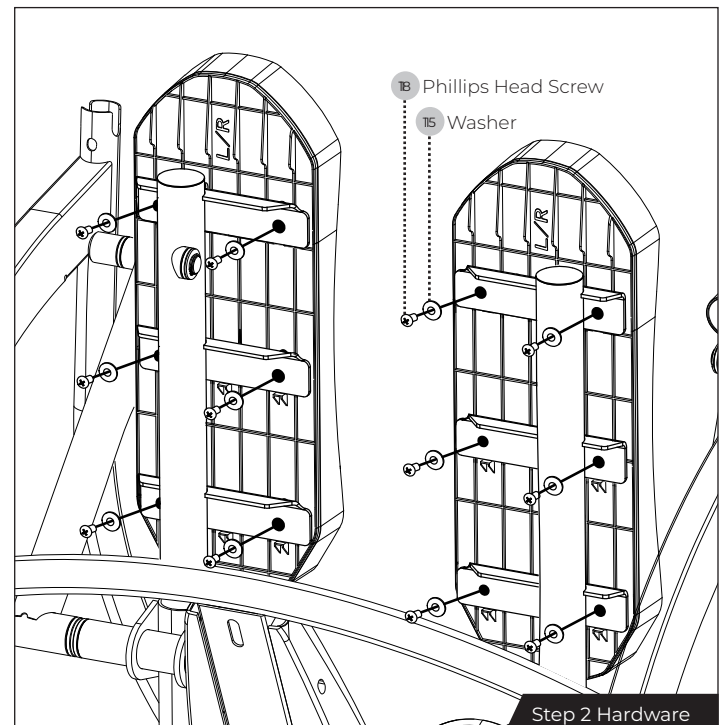


Figure 8

STEP 3

ASSEMBLE SEAT

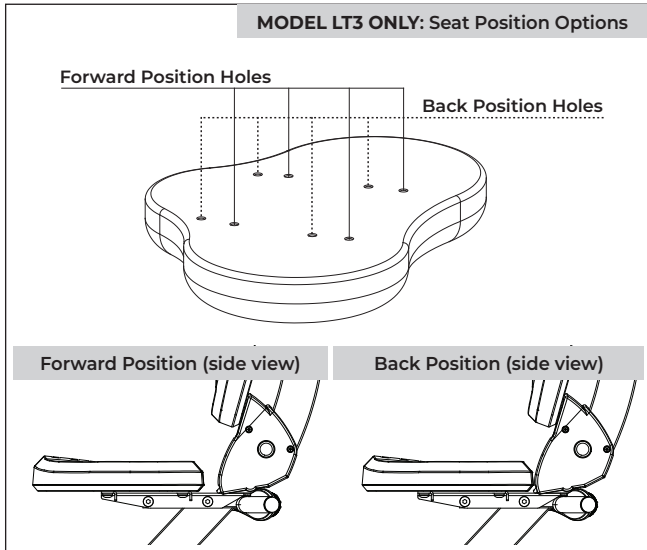


Figure 9

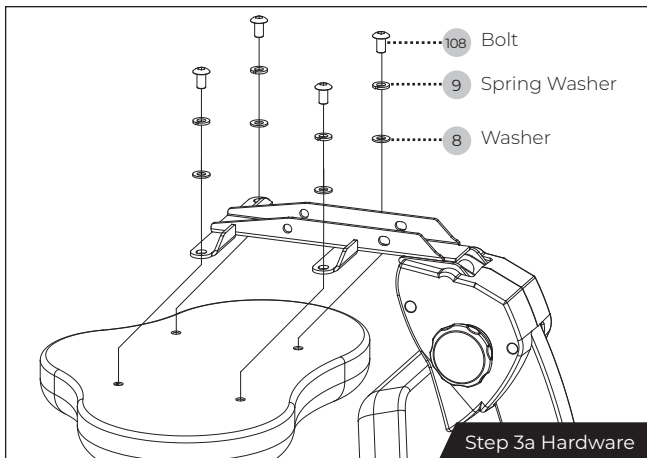


Figure 10

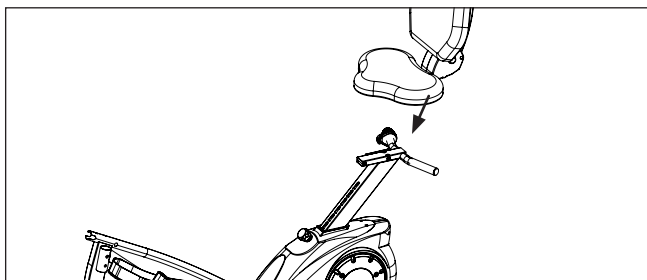


Figure 11

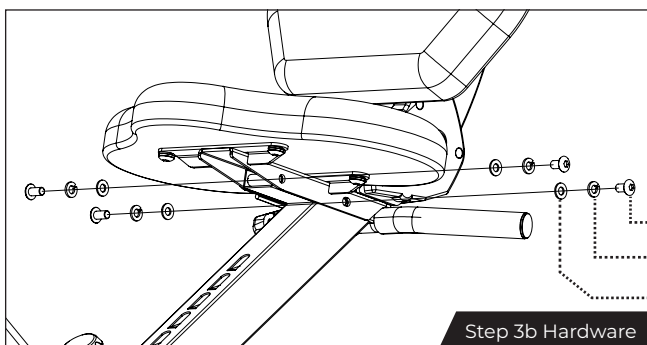


Figure 12

Seat Installation - Model LT3 only

Skip this step for Model LT1.

Figure 9: The Model LT3 has two Lower Seat assembly options. Before installing the seat, use this figure to determine the Position Holes that will be used during installation. The Forward Position provides the largest surface area of support during use. The seat can be adjusted after assembly if needed.

All Models

Locate the Lower Seat and place it upside-down on a flat surface, such as the edge of a table. Locate the Seat Back Assembly and line it up with the Lower Seat.

Figure 10: Use the **Step 3a Hardware Kit** to assemble the seat parts. Hand tighten 4 × Bolts with 4 × Spring Washers and 4 × Washers as shown. Proceed to fully tighten the Bolts with the Allen Wrench.

Figure 11: Before attaching the assembled Seat to the Seat Post, make sure the Seat Post is fully raised for better access, then line the Seat up with the Seat Post.

Figure 12: Use the **Step 3b Hardware Kit** to attach the Seat. Hand tighten 4 × Bolts with 4 × Spring Washers and 4 × Washers as shown. Proceed to fully tighten the Bolts with the Allen Wrench.

STEP 4

ASSEMBLE SUPPORTS

Console Front Support Bar Installation

IMPORTANT: Do not pull or pinch the Speed Sensor Wire during the Console Front Support Bar Installation.

Figure 13: Open the Battery Compartment located on the back of the console. Ensure that the battery contacts and compartment are clean. Locate the (2) included batteries (AA 1.5 V Alkaline) and install them in the back of the Console in the Battery Compartment, noting (+) and (-) symbols.

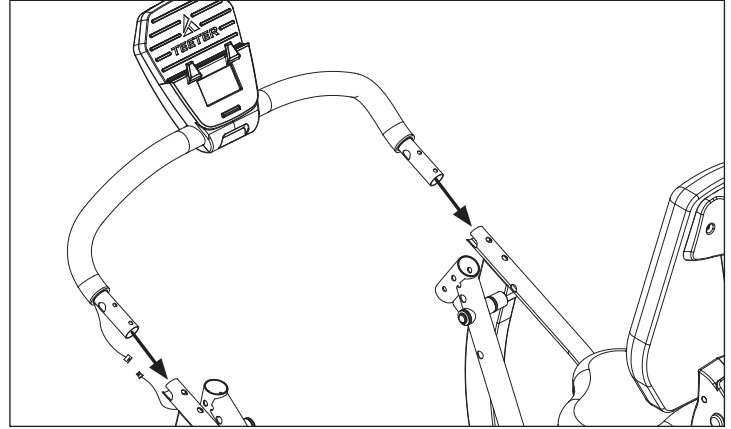


Figure 13

Ensure that the Speed Sensor Wires remain on the outside. Align both ends of the Console Front Support Bar with the Lower Console Support Tube and insert.

Figure 14: Carefully connect the Speed Sensor Wires.

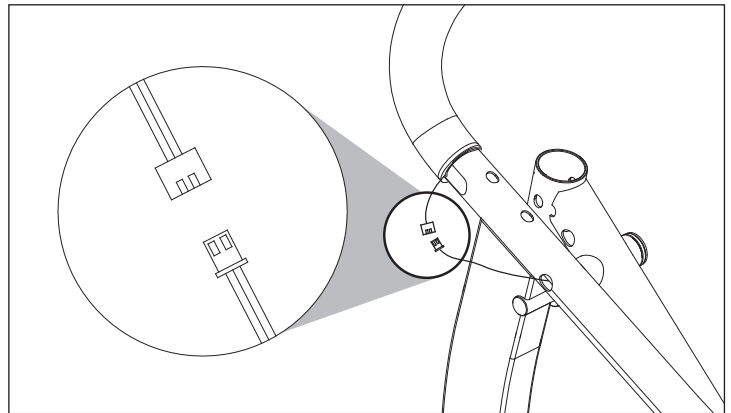


Figure 14

Figure 15: Use the **Step 4a Hardware Kit** to attach the Console Front Support Bar. Hand tighten 4 × Bolts with 4 × Curved Washers as shown. The Curved Washers should wrap around the shape of the Lower Console Support Tube. Proceed to fully tighten the Bolts with the Allen Wrench.

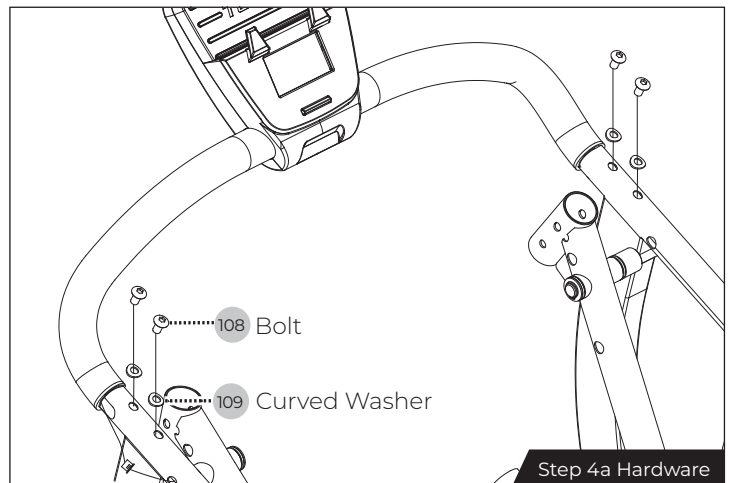


Figure 15

Handle Support Tube Installation

Figure 16a-16b: Locate the Handle Support Tubes, noting Right and Left markings. Insert the bottom of each Handle Support Tube into the top of the Upper Pedal Arm.

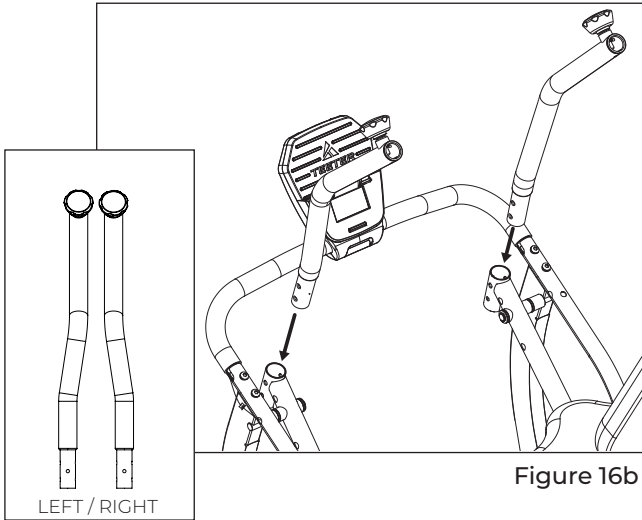


Figure 16a

Figure 16b

Figure 17: Use the **Step 4b Hardware Kit** to attach the Handle Support Tubes. Hand tighten 10 × Bolts with 10 × Curved Washers as shown. The Curved Washers should wrap around the shape of the Upper Pedal Arms. Proceed to fully tighten the Bolts with the Allen Wrench.

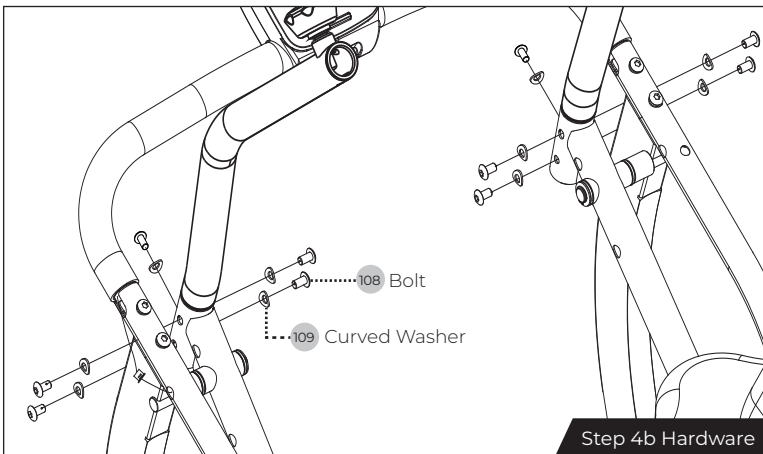


Figure 17

STEP 5

ASSEMBLE COVER SETS

Upper Front Leg Cover Sets Installation

IMPORTANT: Make sure the Speed Sensor Wire sits under the Left Upper Front Leg Cover Set and is not pinched during installation.

TIP: In order to gain better access to the screw holes while assembling the Upper Front Leg Cover Sets, adjust the position of the Pedal Arm Joints by pushing forward or pulling backward on the Handle Support Tubes.

Figure 18: Locate the Upper Front Leg Cover Sets, noting Right and Left markings. Pair each set over the corresponding Right and Left Upper Front Leg.

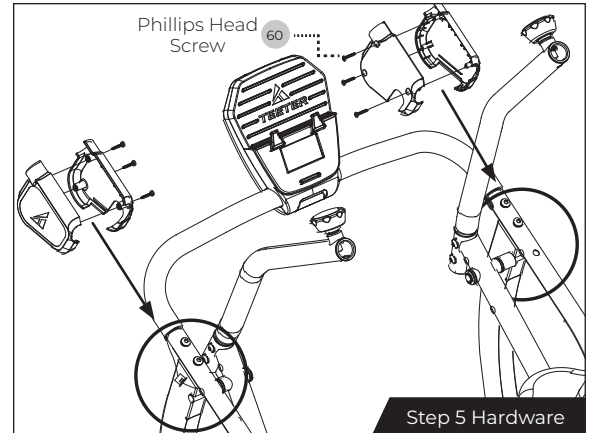


Figure 18

Figure 18-19: Use the **Step 5 Hardware Kit** to install the Upper Front Leg Cover Sets. Partially tighten 3 × Phillips Head Screws using the Screwdriver provided on each set as shown. Ensure they are properly aligned and proceed to fully tighten the Phillips Head Screws with the Screwdriver.

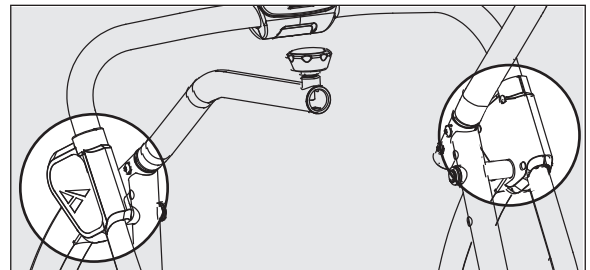


Figure 19

Pedal Arm Joint Cover Sets Installation

Figure 20: Locate the Pedal Arm Joint Cover Sets, noting Right and Left markings. Pair each set over the corresponding Right and Left Pedal Arm Joints.

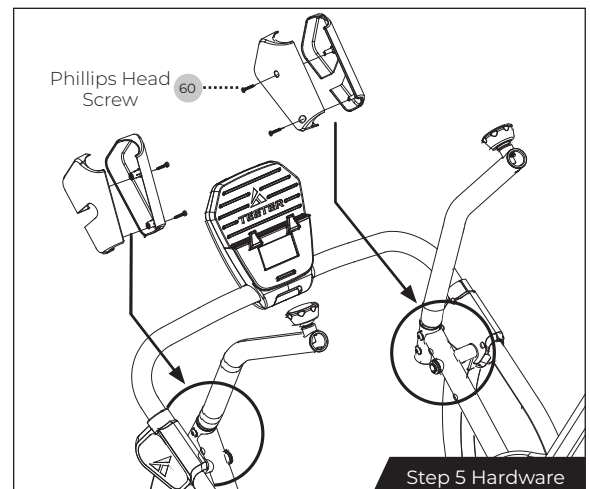


Figure 20

Figure 20-21: Use the **Step 5 Hardware Kit** to install the Pedal Arm Joint Cover Sets. Partially tighten 2 × Phillips Head Screws on each set as shown. Ensure they are properly aligned and proceed to fully tighten the Phillips Head Screws with the Screwdriver.

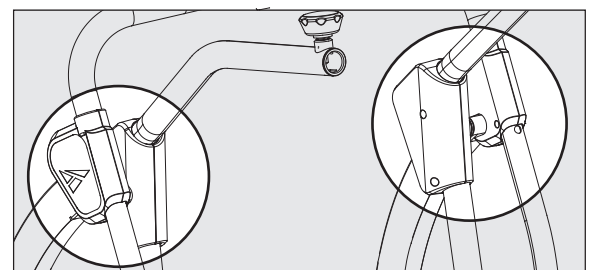


Figure 21

STEP 6

ASSEMBLE HANDLES

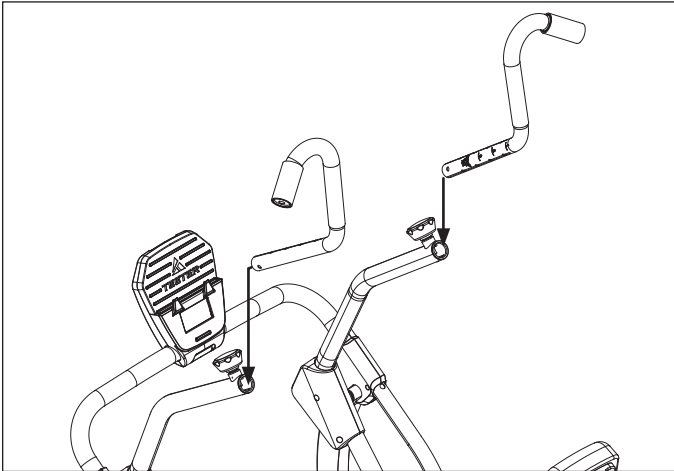


Figure 22

Handle Installation

Figure 22: Loosen the Handle Adjustment Knobs on the right and left Handle Support Tubes by turning the knobs counter-clockwise, then pulling outward.

Locate the Handles, noting Right and Left markings. With the top of the handles pointing outward, insert both Handles into the corresponding Handle Support Tube. Adjust Handles as desired and tighten Handle Adjustment Knobs by releasing into a hole setting and then rotating clockwise.

CORRECT

The Right and Left Handles are assembled correctly (Figure 23).

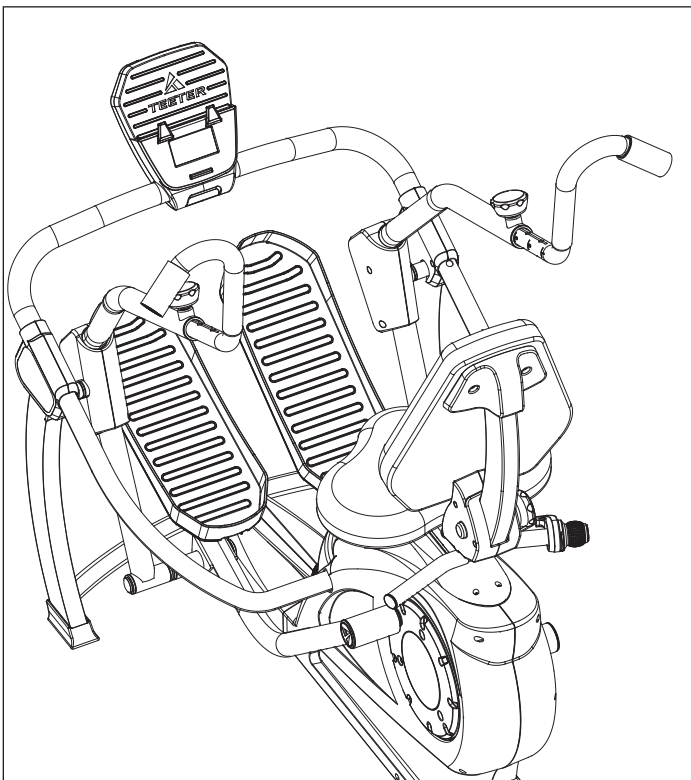


Figure 23

INCORRECT

The Right and Left Handles are switched and need to be corrected (Figure 24).

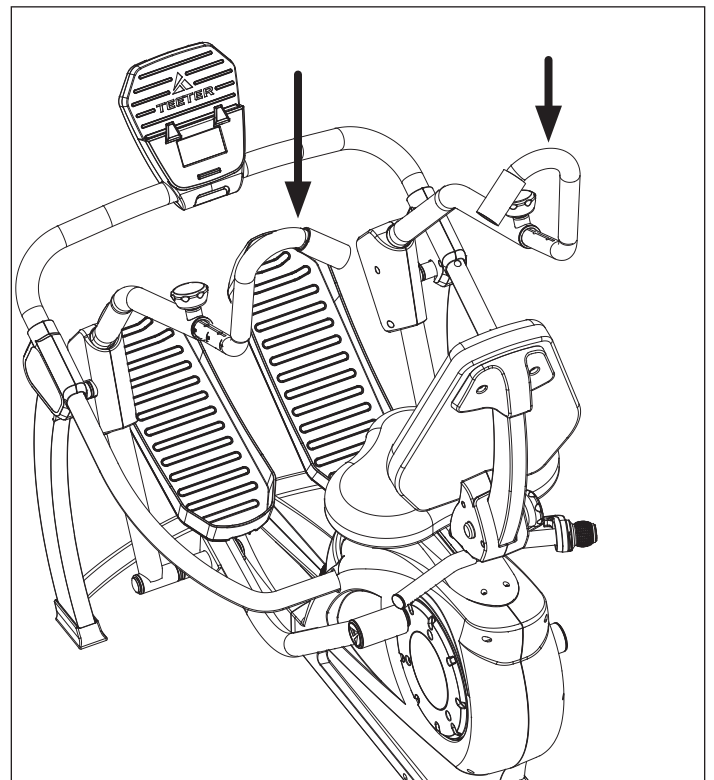


Figure 24

USER GUIDE

Leveling

Figure 25: Make sure your FreeStep is on a flat, stable surface. Locate the 2 × Leveling Feet as shown. If any of the feet are not resting flat on the ground, rotate them clockwise to lower them until they reach the ground.

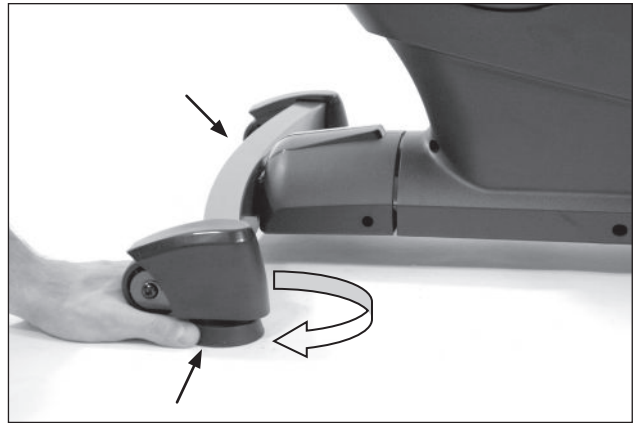


Figure 25

Transporting

⚠ CAUTION

The FreeStep weighs over 100.0 lb (45.4 kg) and should be lifted with caution. Lifting heavy objects can cause injury.

Figure 26: The Transport Wheels are located on the back of the Rear Stabilizer. To transport, first lift from the Console Front Support Bar and then from the Front Crossbar. Move the FreeStep by rolling on the Transport Wheels as shown.



Figure 26

Water Bottle Holder

Figure 27-28: Enjoy the convenience of easy access to your water bottle and smart device during your workout.



Figure 27

Device Holder



Figure 28

USER GUIDE

⚠ CAUTION

ALWAYS adjust Seat height first before use to avoid injury to the knees. Proper feet placement and seat height will ensure that your knees never travel over your toes when bent, and that your leg does not lock out in full extension.



Figure 29



Figure 30



Figure 31



Figure 32



Figure 33

Set Seat Height

Figure 29: To properly set the Seat height, start with the seat in the lowest position. To lower the Seat height, first loosen the Height Adjustment Knob by turning it counter-clockwise.

Figure 30: Pull outward on the spring-loaded Height Adjustment Knob while pushing the Seat Handle downward. Release the Height Adjustment Knob into the lowest hole setting.

Figure 31: Sit down on the Seat and place your toes toward the top of the pedals, which for most people is where you should position your feet during use. Extend to **FULL STRIDE** with one leg.

Figure 32: If the knee on your extended leg is just slightly bent, then you have found your ideal Seat height setting.

If the knee is locked out, then you have found your Height setting but will need to shift your foot position on the pedal to allow for a slight bend in the knee during use.

If the knee is bent too much (beyond a few degrees), then you will need to raise the Seat height.

Figure 33: To raise the Seat height, simply hold the Seat Handles and gently push with your legs until the Height Adjustment Knob locks into the next setting. Try each height setting until you have found a position that allows for a slight bend in the knee while your leg is fully extended and your toes are toward the top of the Pedals.

Figure 34: **ALWAYS** secure the Seat setting before using the FreeStep by turning the Height Adjustment Knob clockwise while in a hole setting.



Figure 34

USER GUIDE

Set Seat Back Position

The Seat Back can recline to offer support for the lower back while targeting different muscle groups during your workout. To properly set the Seat Back position, start with the seat in the fully upright position.

Figure 35: To adjust the Seat Back position, first push in on the Seat Back Adjustment Knob.

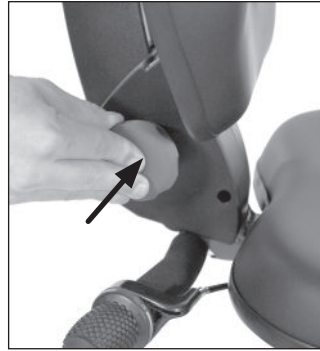


Figure 35



Figure 36

Figure 36-37: Slowly pull back on the Seat Back and let go of the Seat Back Adjustment Knob until the Knob snaps into a hole setting.

You may need to adjust the Seat Height to accommodate a reclined position.



Figure 37

MODEL LT3 ONLY

Modify Lower Seat Position (requires Allen Wrench to adjust)

Figure 38: The Lower Seat can be adjusted to a Forward or Back Position. The Forward Position will provide the largest surface area of support while seated.

The Lower Seat is bolted to the to the Seat Back Assembly with 4 × Bolts and is attached during the assembly process.

To adjust the Lower Seat, set the Seat Post Height to the tallest position for better access to the Bolts under the Lower Seat, and remove the 4 × Bolts with the Allen Wrench provided. Set the Bolts and Washers aside.



Figure 38

Adjust the Seat to the desired position and reassemble the Bolts and Washers. Refer to Figure 9 and 10 on Page 8 of the Assembly Instructions for more details on Bolt and Washer reassembly.

USER GUIDE

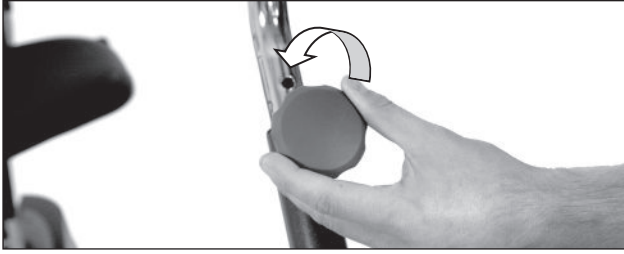


Figure 39

Set Handle Height

Figure 39: Loosen the Handle Adjustment Knob by turning it counter-clockwise.

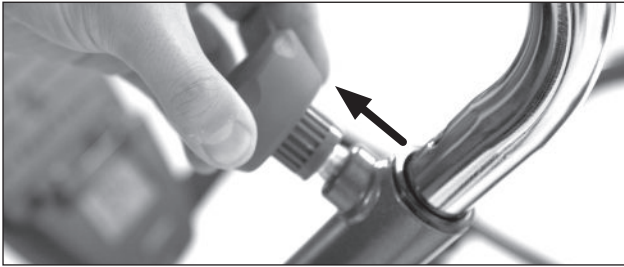


Figure 40

Figure 40: Release the auto-locking mechanism by pulling outward on the spring-loaded Handle Adjustment Knob.



Figure 41

Figure 41: Continue holding the Handle Adjustment Knob outward while pulling or pushing on the handle to adjust the height.



Figure 42



Figure 43

Figure 42-43: The handle height should be set so that your back and hips stay straight and are stabilized by the Seat Back during full extension of the arms.

Release the Handle Adjustment Knob into the desired hole setting. Secure the Handle by rotating the Handle Adjustment Knob clockwise.

To determine which Handle Rotation setting you would like to use, continue to the next page.

USER GUIDE

Set Handle Rotation

The handles can be rotated to an **Outward Setting** or an **Inward Setting** to target different muscle groups.

Figure 44: To rotate the Handles, loosen the Handle Adjustment Knob by turning it counter-clockwise. Release the auto-locking mechanism by pulling outward on the Handle Adjustment Knob, then rotate the handles as desired.

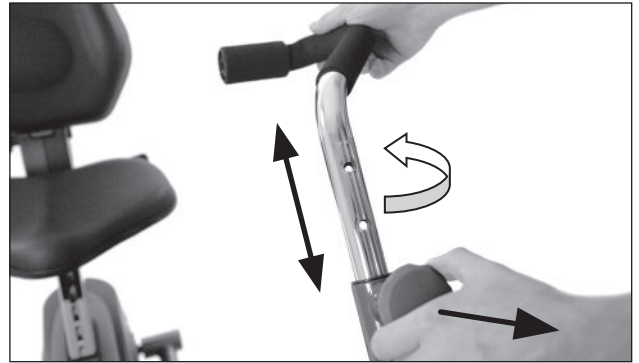


Figure 44

Figure 45: Adjust the Handles to the **Outward Setting** to target biceps, shoulders, and chest muscles with a forward pushing/pulling motion.



Figure 45

Figure 46: Adjust the Handles to the **Inward Setting** to target triceps, forearms, and shoulder muscles with a downward pushing/pulling motion.



Figure 46



Figure 47a



Figure 47b

Figure 47a-47b: The Handles can be locked into outward and inward settings with 4 height adjustments each, allowing up to 8 positions.

To secure the Handle at your selected height and rotation setting, release the spring-loaded Handle Adjustment Knob, so that it fully engages into a hole. **ALWAYS** turn the Handle Adjustment Knob clockwise to tighten.

USER GUIDE

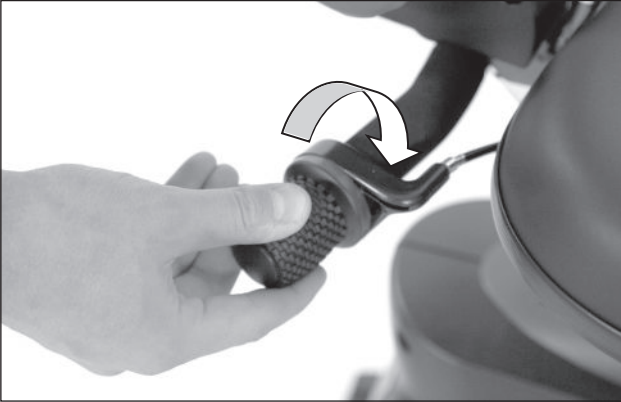


Figure 48

Adjust Resistance

NOTE: The FreeStep ships to you set in the highest resistance setting. Dial the Resistance Adjustment Knob to the lowest resistance setting to start out.

Figure 48: To decrease resistance, dial the Resistance Adjustment Knob counter-clockwise (or backward as you are using the equipment).

To increase resistance, rotate the Resistance Adjustment Knob clockwise (or forward as you are using the equipment).



Figure 49

Using the Console

Figure 49: When you begin to pedal, the Console will display readings based on your performance, showing the time (TMR), calories burned (CAL), distance (DST) in km, and speed (SPD) in km/hr.

SCAN: While pedaling, the Console will automatically scan through all the settings. To stop scanning automatically and to cycle through to the setting you want to see, press the Console Button.

RESET: To start at zero, holding down the Console button will reset your settings.

STOP: When you stop pedaling, the STOP will flash until you begin pedaling again. If you are done with your workout, the Console will automatically shut off.

BATTERIES: The FreeStep includes (2) batteries (AA 1.5 V Alkaline) to operate your console. Remove batteries from equipment if you will not be using it for an extended period of time. If you need to replace the batteries, remove used batteries promptly. Replace all batteries of a set at the same time. Always purchase the correct size and grade of battery most suitable for the intended use (AA 1.5 V Alkaline). Ensure that batteries are re-installed correctly with regard to polarity (+ and -) and that battery contacts and the compartment are clean before inserting new batteries.

USER GUIDE

Suggested Use

⚠ CAUTION

- The following **Suggested Use** is intended to offer possible uses of the FreeStep and is not medical advice.
- **ALWAYS** ensure knees are slightly bent and are not locked at maximum stride when using the FreeStep to prevent knee injury.
- **ALWAYS** ensure **ALL** adjustable settings are properly set according to the following **User Guide** before using the FreeStep.

Standard Use

Figure 50: For a balanced, full-body workout, use both your arms and legs to power the FreeStep.

Seat: Adjust the Seat Height so your knees are at a slight angle during the maximum downward pedal position. Align the Seat Back to support a straight, upright posture. (See pages 14–15 for more information on how to set the Seat properly.)

Handles: Adjust the handles to the outward position. (See pages 16–17 for more information on how to set the Handles properly.)



Figure 50

Legs Only

Figure 51: Target your lower body by powering the FreeStep with only your legs.

Seat: Adjust the Seat Height so your knees are at a slight angle during the maximum downward pedal position. Align the Seat Back to a reclined position to target the glutes and quadriceps. (See pages 14–15 for more information on how to set the Seat properly.)

Handles: Set the handles to the lowest outward position to keep them out of the way. Hold onto the Seat Handle behind the Seat. (See pages 16–17 for more information on how to set the Handles.)



Figure 51

Arms Only

Figure 52: Target your upper body by powering the FreeStep with only your arms.

Seat: Adjust the Seat Height so your knees are at a slight angle while your feet are resting on the Console Front Support Bar. Align the Seat Back to support a straight, upright posture. (See pages 14–15 for more information on how to set the Seat properly.)

Handles: Adjust the handles to the inward or outward setting to target different muscle groups. (See pages 16–17 for more information on how to set the Handles properly.)



Figure 52

The Teeter warranty set forth below and on Teeter's website applies to US and Canadian customers only. For international customers, please consult your local distributor for warranty information, which will vary depending on country.



During the period starting with the day of retail purchase and continuing for one (1) year (FreeStep LT1) or two (2) years (FreeStep LT3), Teeter extends to the owner a repair and replacement warranty against manufacturing defects in materials, workmanship, fabrics and padding. Teeter will repair or replace any such defect and will pay the costs of all parts, labor and transportation. If a repair or replacement is not commercially practical or cannot timely be made, then Teeter will, at the original Purchaser's option, replace with a comparable product or refund the purchase price.

Handling and transportation costs related to product warranty service only are covered by this warranty. This warranty does not cover damage resulting from improper handling, assembly, or installation, repairs made by others, accident, misuse, or abuse. Under no circumstances shall Teeter, or any other party involved in the sale of this product, have any liability for incidental or consequential damage arising from breach of an express or implied warranty on any Teeter product.

EXCEPT AS SET FORTH ABOVE, NO WARRANTY IS GIVEN WITH RESPECT TO ANY TEETER PRODUCT, AND ALL EXPRESS WARRANTIES ARE DISCLAIMED. This warranty shall be governed by the laws of the State of Washington, USA. To the extent this warranty is found not to be enforceable, it shall be deemed revised to the extent necessary to make it enforceable. Any controversy or claim arising out of or relating to this warranty, its interpretation, or any alleged breach thereof, which cannot be amicably settled between Teeter and the owner within sixty (60) days of written notice by the aggrieved party to the other, shall be finally settled by arbitration submitted to three (3) arbitrators selected from the panels of the arbitrators of the American Arbitration Association located closest to Teeter's principal place of business.

Some states do not allow the exclusion of incidental or consequential damage from a warranty, so the above limitation or exclusion may not apply to you. Some states do not allow limitations on how long an implied warranty lasts, so the above limitation may not apply to you. This warranty gives you specific legal rights, and you may also have other rights which may vary from state / province to state / province. This warranty is completely transferable to any and all future owners of this product, provided no alterations have been made to the product.

HOW TO SUBMIT YOUR REGISTRATION:

Step 1

Fill out this information for your own records.

Date of Purchase

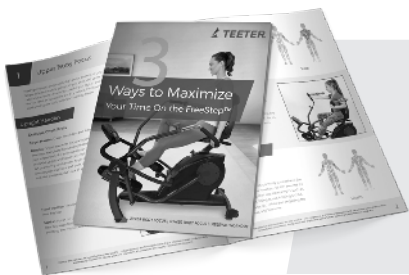
Product & Model

Dealer Name

Serial No.

Step 2

Go online to teeter.com to register your warranty.



FREE DIGITAL GUIDE AVAILABLE!

3 Ways to Maximize your Time on the FreeStep

Go to teeter.com and register your warranty to gain **FREE** access to this downloadable exercise guide.

If you are unable to go online, you can request a warranty card to be mailed to you by calling Customer Service at 800-847-0143.

Please **DO NOT** mail this to Teeter.



LX9™ Inversion Table

The premier Teeter Inversion Table featuring the FlexTech™ 8-Pt Floating Suspension Bed that flexes as you move, Deluxe EZ-Reach™ Handle to reduce the need for bending, and so much more!



Power10® Elliptical Rower

Torch more calories and enhance muscle definition with one revolutionary rower. The patented elliptical path offers bi-directional resistance so you can engage more muscles with every workout.



FitForm™ Cable Trainer

Total body strengthening in one small package! Work your arms, legs and core with micro-adjusting resistance up to 65 lb.



Heavy-Duty Equipment Mat

Protect your floors from wear and tear, and extend the life of your equipment by preventing floor dust and debris from getting into moving parts.



Better Back™ Foam Rollers

Prepare the body for movement, accelerate recovery, minimize muscular imbalances, and improve overall flexibility with the Teeter collection of textured Foam Rollers.



Neck Relax & Restore Duo™

Provides support of the upper neck/cervical spine for self-administered suboccipital release, a technique to reduce tension in the supporting muscles.



If you have any trouble assembling the equipment, or questions about its use, please contact customer service.

USA: 800-847-0143 or info@teeter.com

International: info@teeterintl.com

9713 233rd Ave E Ste A
Bonney Lake, WA 98391
Toll Free: 800-847-0143
Fax: 800-847-0188
teeter.com | info@teeter.com

