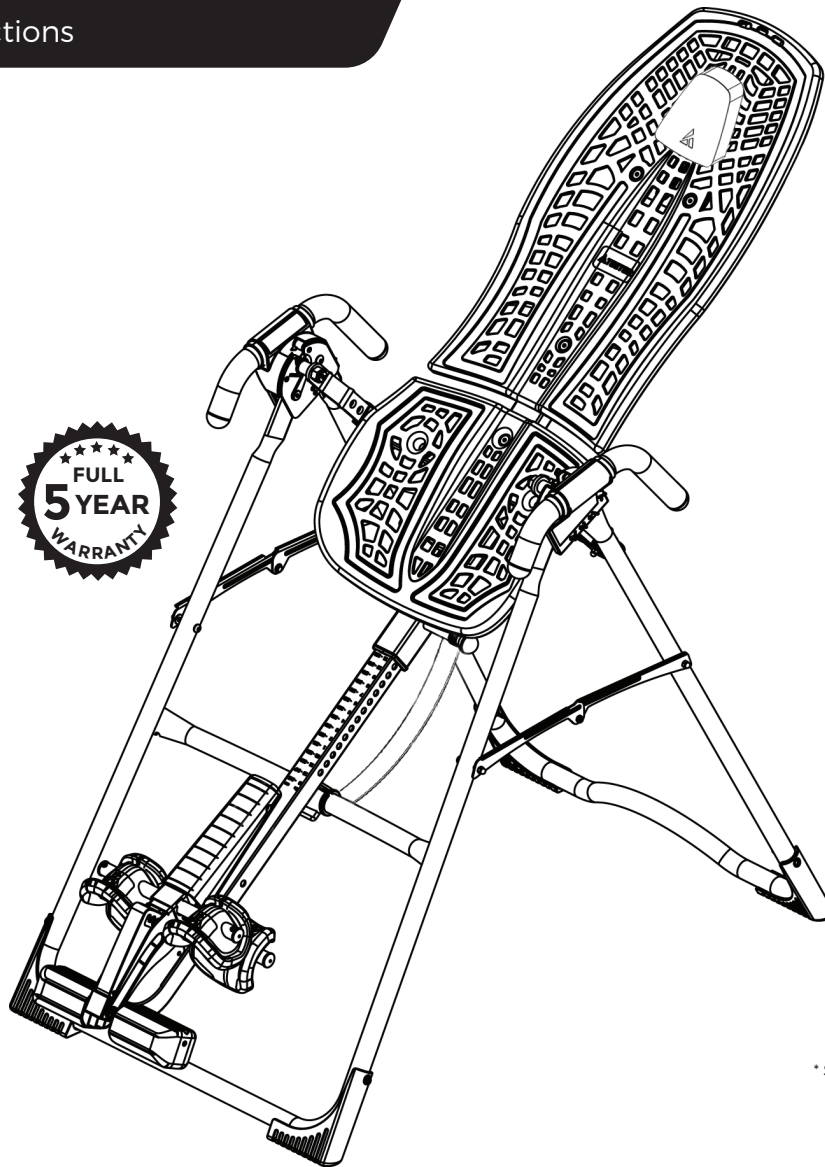




**NEW!**  
Follow along with  
your smartphone  
to make assembly  
even easier!

# 900ia Inversion Table

Assembly Instructions



\* Specifications may vary from this image and are subject to change without notice.



To download and print Teeter's 900ia instructions, visit the product support page at [teeter.com](http://teeter.com).



Congratulations on your purchase of a Teeter 900ia Inversion Table! This product has been carefully engineered to provide you with precision rotation control and security to ensure the most comfortable and effective inversion experience.

In order to utilize this product to its fullest extent, it is critical that you follow the assembly instructions, read and fully understand the Owner's Manual attached to the equipment, and review the Getting Started DVD prior to using your new Teeter Inversion Table.



For step-by-step, 3D interactive instructions, download BILT (a FREE mobile app) to your smartphone to follow along. See Page 5 for instructions on how to download BILT.



To register your product warranty, go to **[teeter.com/Support/Warranty-Registration](https://teeter.com/Support/Warranty-Registration)**



If you have any questions concerning assembly or if any parts are missing, **DO NOT RETURN THE ITEM TO THE STORE OR CONTACT THE RETAILER.** Our dedicated customer service experts can help! Contact Teeter Customer Service at **800.847.0143**, or via online forms or Live Chat at **teeter.com**.

## Assembly Instructions

Important Safety Instructions .....	1
Items for Assembly .....	2
Understanding Your Inversion Table .....	3
Safety Warning Labels & Product Specifications .....	4
Before Beginning Assembly .....	5
Assembly Steps .....	6 - 10
Misassembly Check .....	11
Before Inverting .....	12
Warranty Terms & Registration .....	13

## Owner's Manual (attached to the equipment)

Important Safety Instructions .....	1
User Settings .....	2
Prepare to Invert .....	3 - 4
Inverting .....	4 - 5
Storage & Maintenance .....	5
Get the Most out of Your Teeter .....	6

**BEFORE YOU BEGIN:** Review all steps before beginning assembly and read all precautions before using the inversion table. Carefully adhere to the Assembly Instructions and Owner's Manual to help ensure safety and product integrity.

## **IMPORTANT SAFETY INSTRUCTIONS** **READ ALL INSTRUCTIONS BEFORE USING THE INVERSION TABLE**

### **⚠ WARNING**

#### **FAILURE TO FOLLOW INSTRUCTIONS AND WARNINGS COULD RESULT IN SERIOUS INJURY OR DEATH.**

To reduce the risk of injury:

- Read and understand all the instructions, review all other accompanying documents, and inspect the equipment before using the inversion table. It is your responsibility to familiarize yourself with the proper use of this equipment and the inherent risks of inversion if these instructions are not followed, such as falling on your head or neck, pinching, entrapment, equipment failure, or aggravating a pre-existing medical condition. It is the responsibility of the owner to ensure that all users of the product are fully informed about the proper use of the equipment and all safety precautions.
- **DO NOT** use the equipment without a licensed physician's approval. Carefully review the following list of medical contraindications for inversion with your licensed physician (this is not an exhaustive list, it is intended only for reference):
  - Middle ear infection
  - Extreme obesity
  - Pregnancy
  - Hiatal or ventral hernia
  - Eye conditions like glaucoma, retinal detachment or conjunctivitis
  - Chronic sinusitis
  - High blood pressure or hypertension
  - Heart or circulatory disorders
  - Use of anticoagulants (including high doses of aspirin)
  - Weakness, frailty, or mobility issues
  - Dizziness, trouble with coordination or head-down disorientation
  - Vertigo, motion sickness or inner ear disorders
  - Brain injury or recent head trauma
  - Recent stroke or transient ischemic attack
  - Spinal injury or conditions impacting the spinal cord
  - Cerebral sclerosis
  - Medical conditions associated with the weight-bearing joints
  - Acutely swollen joints
  - Bone weakness (osteoporosis)
  - Recent or unhealed fractures
  - Medullary pins or surgically implanted orthopedic supports
  - Any other medical condition that may be made more severe by an elevation of blood pressure, intracranial pressure or the mechanical stress of the inverted position
- **ALWAYS** be certain the Ankle Lock System is properly adjusted and fully engaged, and that your ankles are secure before using the equipment. HEAR, FEEL, SEE and TEST that the Ankle Lock System is snug, close-fitting and secure EVERY TIME you use the equipment.
- **ALWAYS** wear securely tied lace-up shoes with a flat sole, such as a normal tennis-style shoe.
- **DO NOT** wear any footwear that could interfere with securing the Ankle Lock System, such as shoes with thick soles, boots, high-tops or any shoe that extends above the anklebone.
- **DO NOT** use the inversion table until it is adjusted properly for your height and body weight. Improper settings can cause rapid inversion or make returning upright difficult. New users, and users who are physically or mentally compromised, will require the assistance of a spotter. Make sure the equipment is set to your unique user settings prior to each use.
- **DO NOT** sit up or raise head to return upright. Instead, bend knees and slide your body to the foot-end of the inversion table to change weight distribution. If locked out in full inversion, follow the instructions for releasing from the locked position before returning upright.
- **DO NOT** continue using the equipment if you feel pain or become light-headed or dizzy while inverting. Immediately return to the upright position for recovery and eventual dismount.
- **DO NOT** use if you are over 6 ft 6 in (198 cm) or over 300 lbs. (136 kg). Structural failure could occur or head/neck may impact the floor during inversion.
- **DO NOT** allow children to use this machine. Keep children, bystanders, and pets away from machine while in use. The inversion table is not intended for use by persons with reduced physical, sensory or mental capabilities, unless they are given supervision and instruction concerning use of the machine by a person responsible for their safety.
- **DO NOT** store the inversion table upright if children are present. Fold and lay the table on the floor. **DO NOT** store outdoors.
- **DO NOT** use aggressive movements, or use weights, elastic bands, any other exercise or stretching device or non-Teeter® attachments while on the inversion table. Use the inversion table only for its intended use as described in this manual.
- **DO NOT** drop or insert any object into any opening. Keep body parts, hair, loose clothing and jewelry clear of all moving parts.
- **DO NOT** use in any commercial, rental or institutional setting. This product is intended for indoor, home-use only.
- **DO NOT** operate equipment while under the influence of drugs, alcohol, or medication that may cause drowsiness or disorientation.
- **ALWAYS** inspect the equipment prior to use. Make sure all fasteners are secure.
- **ALWAYS** replace defective components immediately and/or keep the equipment out of use until repair.
- **ALWAYS** position equipment on a level surface and away from water or ledges that could lead to accidental immersion or falls.
- Refer to additional warning notices posted on the equipment. If a product label or Owner's Manual should become lost, damaged or illegible, contact Customer Service for replacement.

**SAVE THESE INSTRUCTIONS**

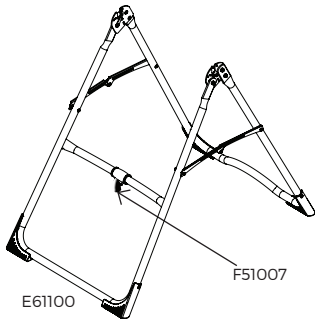
# Items for Assembly

Items not shown to scale. Hardware drawings located on the insert inside each Hardware Kit.

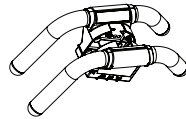
ITEM NO.	ITEM NAME
<b>Stretch-and-Grip™ A-Frame Base Assembly</b>	
E61100	A-Frame
F51007	Angle Tether (EP-560) pre-assembled to A-Frame
<b>Handle Assembly</b>	
E61500	Stretch Assist™ Handles (2)
<b>Roller Hinge Assembly</b>	
F51065	3-Hole Roller Hinges (2)
<b>FitFlex™ Table Bed Assembly</b>	
IA2310	FitFlex™ Table Bed

ITEM NO.	ITEM NAME
<b>Main Shaft Assembly</b>	
E61630	with EZ-Reach™ Ankle Lock System
<b>Optional Accessories</b>	
E61105	Head Pillow
<b>Tools Provided for Assembly</b>	
IA1149	5mm Allen Wrench (1)
<b>Product Support</b>	
LI9003	Getting Started DVD
LI9000	Owner's Manual pre-assembled to A-Frame

**Stretch-and-Grip™ Base Assembly**  
with pre-assembled Angle Tether

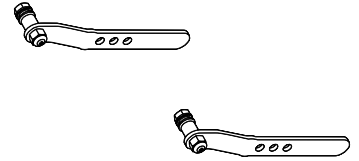


**Handle Assembly**  
Use with Handle Assembly  
Hardware Kit (HK1008)



E61500

**Roller Hinge Assembly**



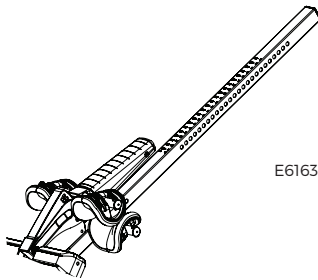
F51065

**FitFlex™ Table Bed Assembly**



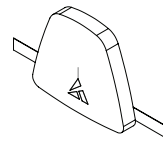
IA2310

**Main Shaft Assembly**  
with EZ-Reach™ Ankle Lock System



E61630

**Optional Accessories**



E61105

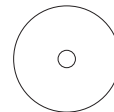
**Tools Provided for Assembly**



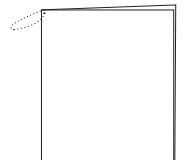
5mm Allen Wrench

IA1149

**Product Support**



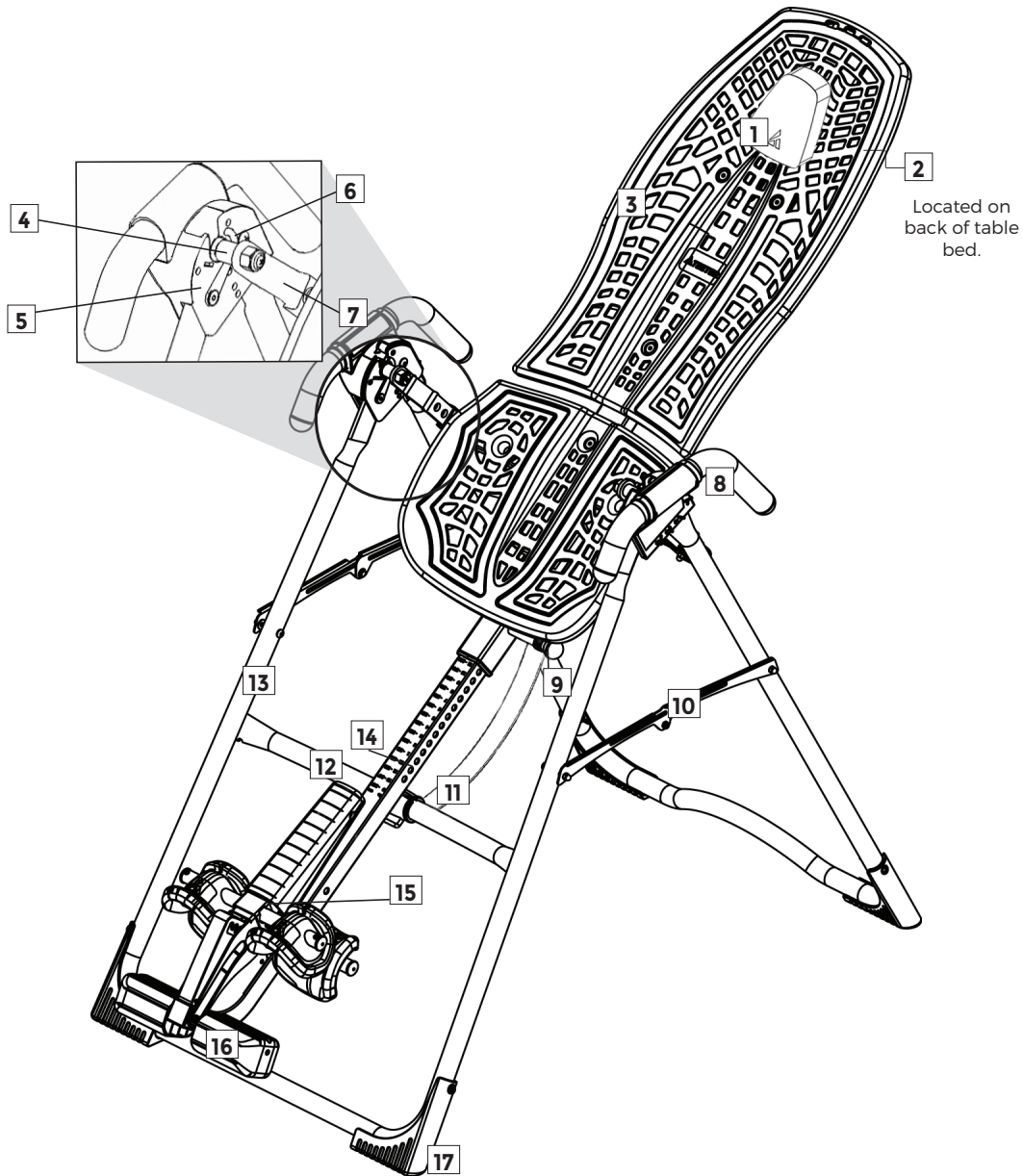
Getting Started DVD  
LI9003



Owner's Manual  
LI9000

# Understanding Your Inversion Table

Before reading further, study the drawing below to familiarize yourself with the important components of your Teeter Inversion Table.



## Identifying Parts and Components

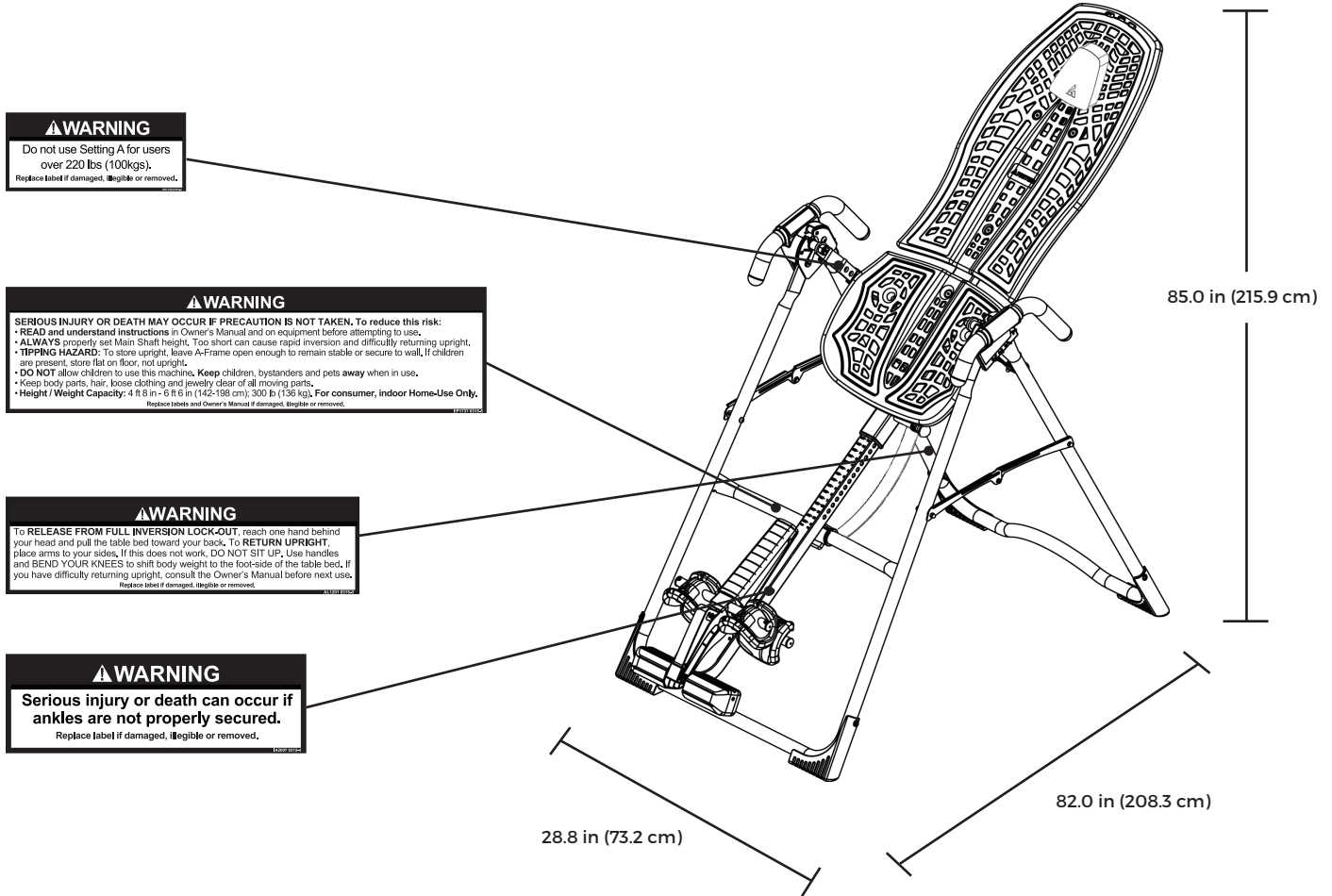
1	Head Pillow	7	3-Hole Roller Hinges	13	A-Frame
2	Bed Frame Extension	8	Handles	14	Main Shaft
3	FitFlex™ Table Bed	9	Height-Selector Locking Pin	15	Ankle Lock System
4	Pivot Pins	10	Spreader Arms	16	Ankle Comfort Dial™
5	Hinge Plates	11	Angle Tether	17	Non-Skid Stability Feet
6	Self-Locking Hooks	12	Crossbar		

# Safety Warning Labels & Product Specifications

Important: Please review all labels and supporting materials before using your inversion table.

This drawing indicates the locations of the warning labels found on your product. If a label is missing, illegible or is removed, contact Teeter Customer Service to request a complimentary replacement label.

Note: Image and labels below not shown at actual size.



**⚠ WARNING**  
Do not use Setting A for users over 220 lbs (100kgs).  
Replace label if damaged, illegible or removed.

**⚠ WARNING**  
SERIOUS INJURY OR DEATH MAY OCCUR IF PRECAUTION IS NOT TAKEN. To reduce this risk:  
• READ and understand instructions in Owner's Manual and on equipment before attempting to use.  
• ALWAYS properly set Main Shaft height. Too short can cause rapid inversion and difficulty returning upright.  
• TIPPING HAZARD: To store upright, leave A-Frame open enough to remain stable or secure to wall, if children are present, store flat on floor, not upright.  
• DO NOT allow children to use this machine. Keep children, bystanders and pets away when in use.  
• Keep body parts, hair, loose clothing and jewelry clear of all moving parts.  
• Height / Weight Capacity: 4 ft 8 in - 6 ft 6 in (142-198 cm); 300 lb (136 kg). For consumer, indoor Home-Use Only.  
Replace labels and Owner's Manual if damaged, illegible or removed.

**⚠ WARNING**  
To RELEASE FROM FULL INVERSION LOCK-OUT, reach one hand behind your head and pull the table bed toward your back. To RETURN UPRIGHT, place arms to your sides. If this does not work, DO NOT SIT UP. Use handles and BEND YOUR KNEES to shift body weight to the foot-side of the table bed. If you have difficulty returning upright, consult the Owner's Manual before next use.  
Replace label if damaged, illegible or removed.

**⚠ WARNING**  
Serious injury or death can occur if ankles are not properly secured.  
Replace label if damaged, illegible or removed.

Assembled Non-Use Dimensions: 60.5 (L) x 28.8 (W) x 57.0 in (H) (153.7 x 73.2 x 144.8 cm)  
Maximum In-Use Dimensions: 82.0 (L) x 28.8 (W) x 85.0 in (H) (208.3 x 73.2 x 215.9 cm)  
Storage Dimensions: 20.0 (L) x 28.8 (W) x 66.0 in (H) (50.8 x 73.2 x 167.6 cm)

Weight (approx.): 59.5 lbs (26.9 kg)

# Before Beginning Assembly

## Unpack and Prepare Your Workspace

- If possible, set up the product at or near the space in which you intend to use it to avoid moving it later.
- Unpack all parts and support materials. Set aside packing materials and clear your work area.
- Locate the Hardware Kits, packaged with the manuals. They are labeled to correspond with the assembly process.
- The **Getting Started DVD** provides step-by-step instruction on how to assemble your product. You may find it helpful to follow along with the DVD by watching it on either your TV or computer. The DVD is divided into the following sections:
  - **Assembly** - Follow step-by-step instruction on how to assemble your inversion table.
  - **User Settings** - Personalize your inversion experience by adjusting four customizable settings.
  - **Use Instructions** - Learn how to test your balance and rotation control, and how to properly invert and return upright.
  - **Advanced Stretching & Exercises** - Use your Teeter for rotational stretches, sit ups, squats and more!
  - **BONUS Healthy Back Routines\***  
Dr. Shawn leads you through 5 original Healthy Back Routines, including one designed specifically for use with your inversion table!

## Making Assembly Even Easier with **BILT**.

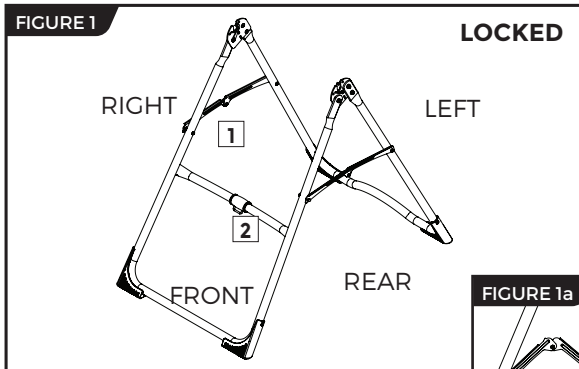


For step-by-step, 3D interactive instructions, download BILT (a FREE mobile app) to your smartphone to follow along. Simply download the BILT app by scanning the QR code below and then search for "Teeter 900ia" within the BILT app to get started!

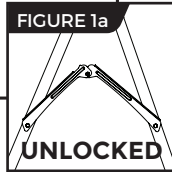


# STEP 1

## Assemble A-Frame Base & Stretch Assist Handles

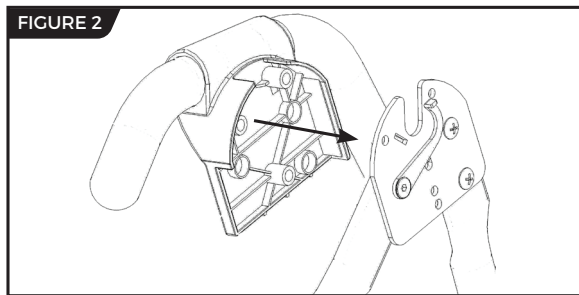


1 - Spreader Arms      2 - Crossbar



- On a level surface, position the A-Frame so that it is standing upright and the Stability Feet are on the ground.
- Gently push down on the Spreader Arms to ensure they are fully open and in the “locked” position (Figure 1).
- Look for temporary circular assembly assistance labels on the A-Frame. **RIGHT**, **LEFT**, **FRONT**, and **REAR** indicate your position while using the equipment, not facing it. These labels can be removed easily upon completion of assembly.

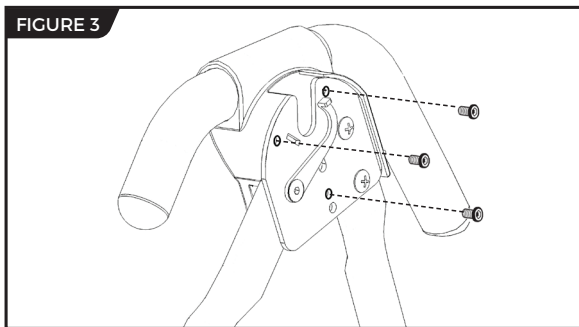
- Locate the Handle Assembly Hardware Kit (HK1008).
- Determine the left or right handles, marked with an embossed L / R on the inside of the black plastic part of each handle.



- Align the black plastic part of the corresponding handle (left / right) over the outside edge of the Hinge Plate on the A-Frame (Figure 2).

- Insert and loosely hand-tighten three of the Allen Head Screws through the Hinge Plate into the handle (Figure 3).

- Repeat with other handle. Tighten all fasteners with the Allen Wrench provided, being careful not to over-tighten.





## STEP ②

### Assemble Roller Hinges to Table Bed

- Familiarize yourself with the 3-Hole Roller Hinge and Cam Lock terms (Figure 4).

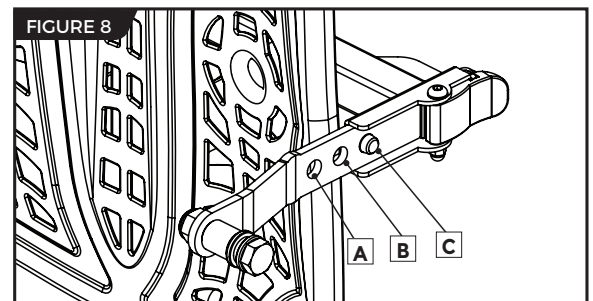
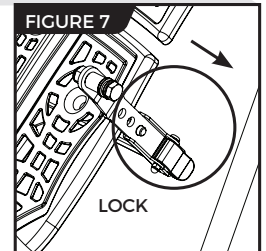
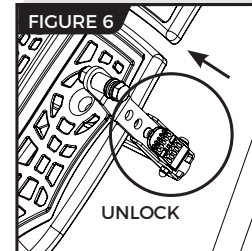
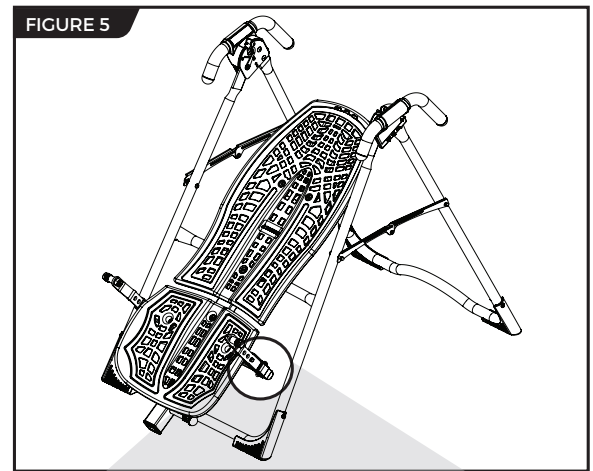
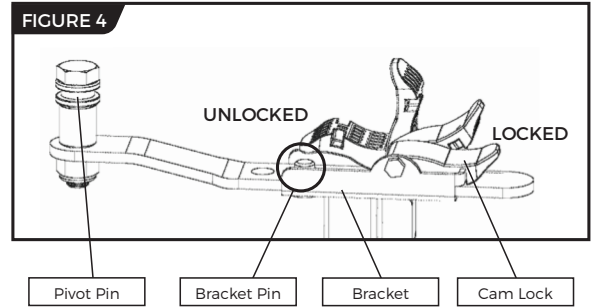
#### ⚠ WARNING

NEVER disassemble the Roller Hinge Pivot Pin.

- For ease of assembly, rest the Table Bed against the Crossbar (Figure 5) at the front of the A-Frame.
  - On one side of the Table Bed, lift and hold the Cam Lock up all the way to unlock (Figure 6).
  - In your other hand, hold one Roller Hinge near the Pivot Pin. With the Pivot Pin facing out (away from the Table Bed), slide the bottom of the Roller Hinge between the Cam Lock and the Bracket.
- TIP:** Make sure that the Cam Lock is completely open when inserting the Roller Hinge, otherwise assembly will be more difficult.
- Engage one of the holes in the Roller Hinge over the Bracket Pin. Figure 7 shows the Roller Hinge installed correctly, with the Bracket Pin engaged in Setting C.

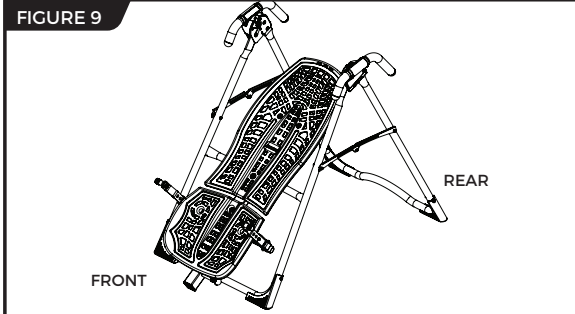
**NOTE:** Refer to the Owner's Manual for an explanation of the hole settings. If you are unsure, use Setting C to start.

- Push down on the Cam Lock (Figure 8) to lock it and secure the Roller Hinge.
- Repeat on other side. Make sure the Roller Hinges are in the same hole setting on both sides.



## STEP ③

### Assemble Table Bed to A-Frame



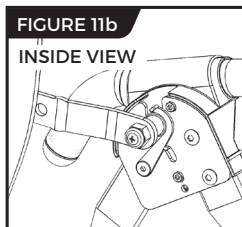
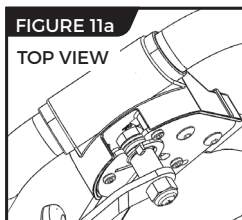
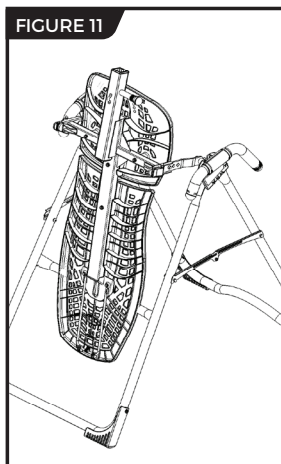
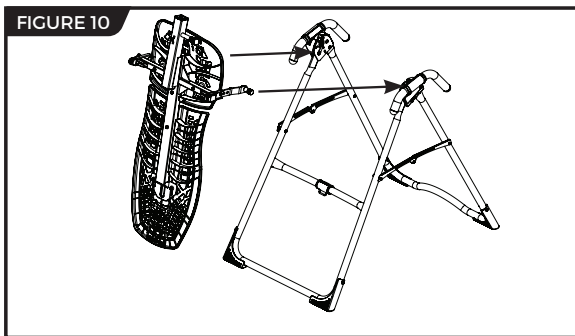
· Face the front of the A-Frame where the Crossbar is located (Figure 9).

· Grasp both Roller Hinges, right above the Cam Lock, and lift the Table Bed. Allow the top of the Table Bed to rotate toward the floor, so that the back of the Table Bed is now facing you and the top of the Table Bed is in front of the Crossbar (Figure 10).

· Lower each Roller Hinge Pivot Pin into the A-Frame hinge plates, one side at a time (Figure 11). The Self-Locking Hooks will open to allow the Pivot Pin into the Hinge Plate slot, then automatically snap closed over the Pivot Pin.

**TIP:** You may need to push outward on the Hinge Plate in order for the second Pivot Pin to lock in place.

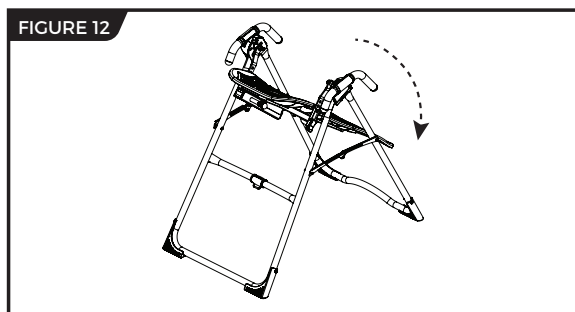
· Make sure that each Pivot Pin is seated at the base of the slot in the Hinge Plates, and that the Self-Locking Hooks have closed over both Pivot Pins (Figures 11a & 11b).



## ! WARNING

Failure of the Self-Locking Hooks to close over both Roller Hinge Pivot Pins is an indication of improper assembly and if not corrected could result in serious injury or death!

· Rotate the Table Bed into the use position (Figure 12). Ensure that it rotates smoothly. See also Image A on Page 12 to ensure correct assembly.



## STEP ④

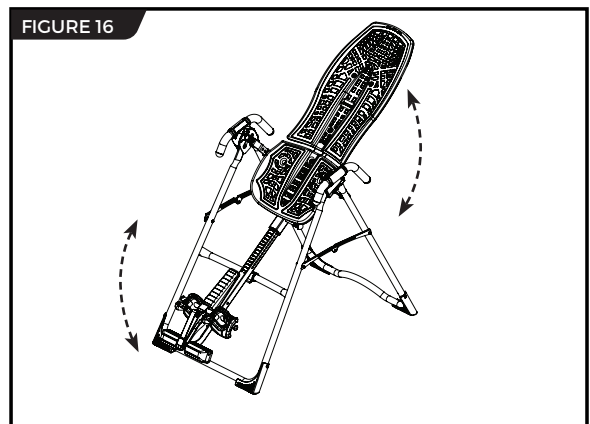
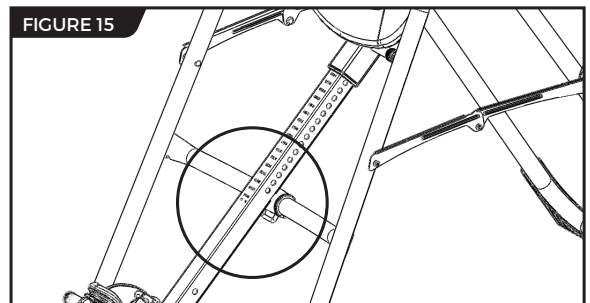
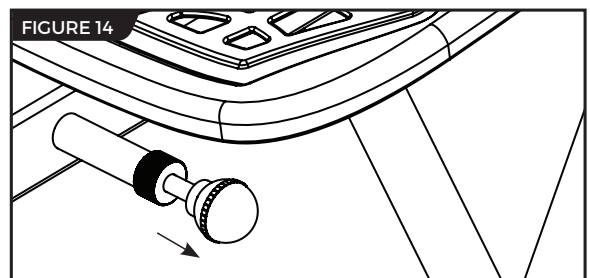
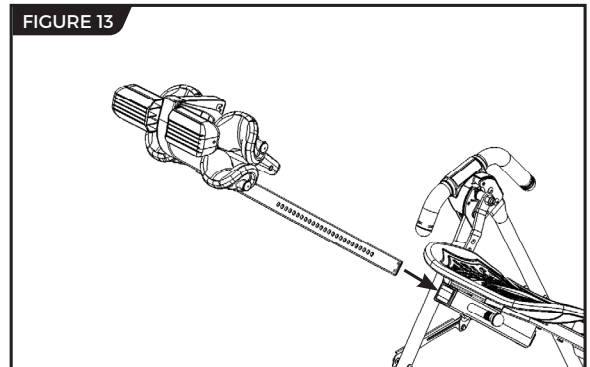
### Assemble Main Shaft to Table Bed

- Facing the front of the A-Frame, hold the Main Shaft in your left hand with the height markings facing up. Slide the end of the Main Shaft into the Main Shaft Housing (Figure 13), located at the base of the Table Bed.
- With your right hand, pull out the Height-Selector Locking Pin (Figure 14) to allow the Main Shaft to slide in further and release in the desired height setting. Refer to the Owner's Manual for more information on selecting your height setting.
- The Main Shaft **MUST REST** against the Crossbar bumper on the A-Frame (Figure 15).

**IMPORTANT:** The Crossbar prevents the Table Bed from rotating forward when the user steps on the Ankle Comfort Dial. If the Main Shaft does not rest on the Crossbar bumper as shown in Figure 20, then the Table Bed has been assembled backwards onto the A-Frame.

This **MUST BE CORRECTED** before use. See also Image B on Page 11 to ensure correct assembly.

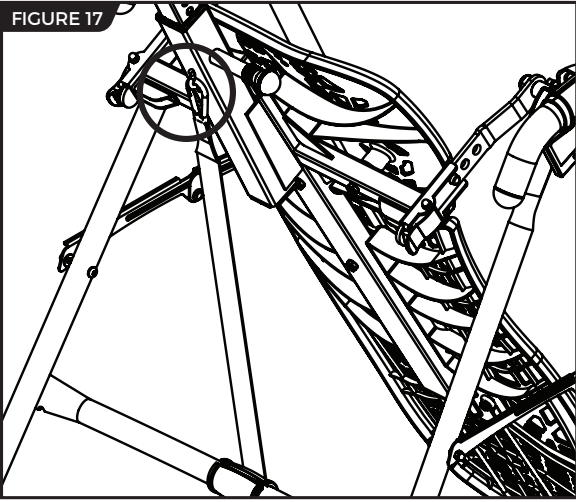
- Test the inversion table by hand for smooth and steady rotation (Figure 16) and ensure that all fasteners are secure.



## STEP ⑤

### Attach Angle Tether & Head Pillow

FIGURE 17



#### Attach Angle Tether

- The tether will come pre-assembled to the A-Frame.
- Unfold the adjustable tether and clip it to the U-Bar on the underside of the Table Bed (Figure 17).
- Slide the buckle to lengthen or shorten the strap depending on your desired maximum angle of inversion.

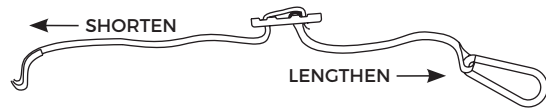
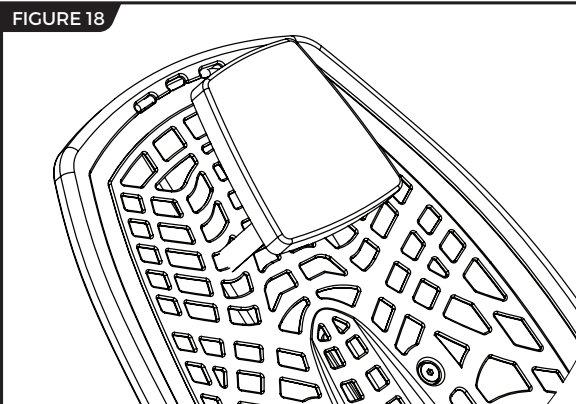


FIGURE 18



#### Attach Head Pillow

Attach the Head Pillow by securing the Velcro Straps through the holes in the Table Bed (Figure 18). You may customize the position depending on your preference.

# Misassembly Check

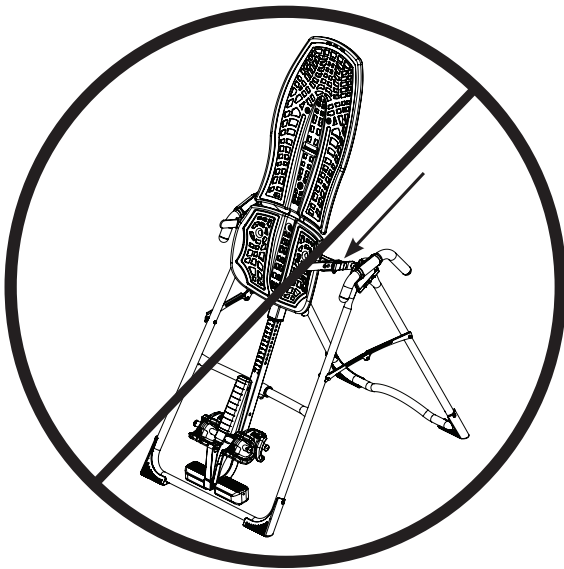
## **⚠️ WARNING**

If your Teeter Inversion Table looks like either of these images, your inversion table has been misassembled and is unfit for use. Improper assembly could result in serious injury or death!

### **Image A**

**Go back to Step 2 for instruction.**

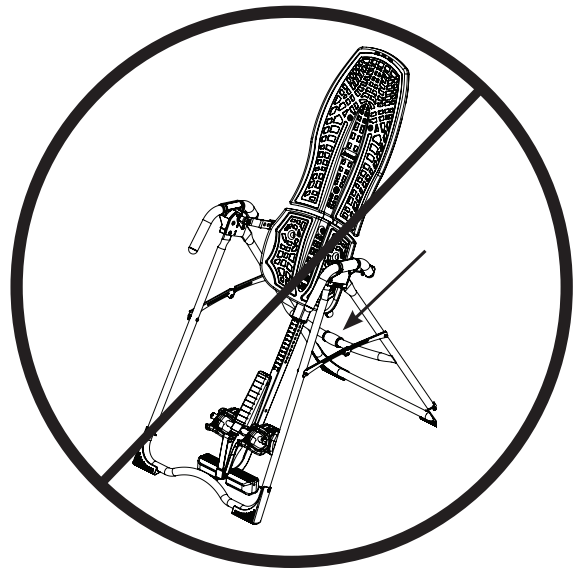
Demonstrates that the Roller Hinges have been assembled upside down into the Table Bed and must be corrected.



### **Image B**

**Go back to Step 3 for instruction.**

Demonstrates that the Table Bed has been assembled into the A-Frame backwards so the Main Shaft is not resting on the Crossbar and must be corrected.



# Before Inverting

FIGURE 19

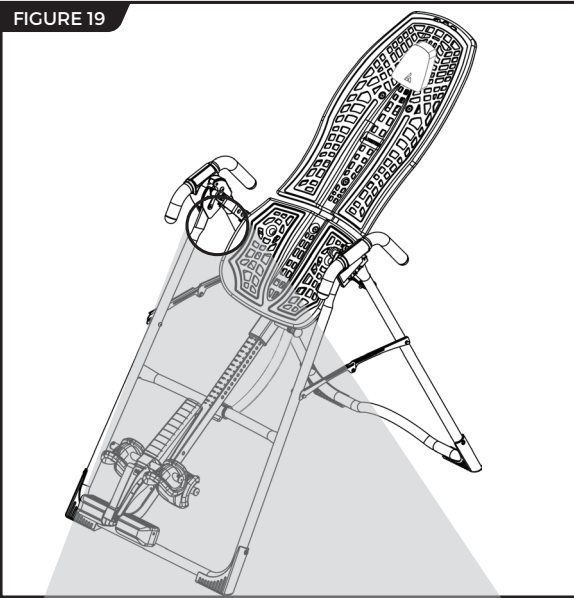
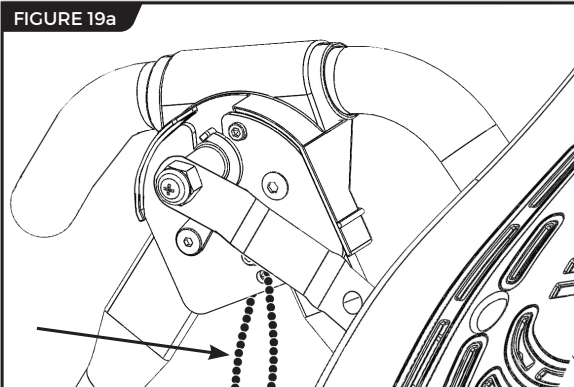


FIGURE 19a



## Ensure Owner's Manual is Attached

The Owner's Manual contains important information on how to use your Teeter Inversion Table, including how to personalize the user settings, properly secure and release the Ankle Lock System, and test and adjust the rotation control.

- If not already attached, thread the provided metal chain through the pre-punched hole in the upper corner of the Owner's Manual.
- Secure the chain to the A-Frame through the designated hole in the Hinge Plate (Figure 19 & 19a). Allow the Owner's Manual to hang freely on the outside of the A-Frame Spreader Arms so it doesn't interfere with the rotation of the Table Bed.

**IMPORTANT:** Once attached to the A-Frame, **DO NOT** remove the Owner's Manual. It should remain permanently attached to your inversion table to serve as a reference for all users in regards to proper adjustment and use of the equipment.

## **⚠** WARNING

Read the Owner's Manual thoroughly before using your Teeter Inversion Table. Improper settings could result in serious injury or death!

## View the Remainder of the DVD

The Getting Started DVD is a helpful supplement to the Owner's Manual, with easy-to-follow instructions on user settings, how to invert, storage and maintenance, and even stretching and exercises you can do with your Teeter.



The Teeter warranty set forth below and on Teeter's website applies to US and Canadian customers only. For international customers, please consult your local distributor for warranty information which will vary depending on country.



**During the period starting with the day of retail purchase and continuing for five (5) years, Teeter extends to the owner a repair and replacement warranty against manufacturing defects in materials, workmanship, fabrics and padding. Teeter will repair or replace any such defect and will pay the costs of all parts, labor and transportation. If a repair or replacement is not commercially practical or cannot timely be made, then Teeter will, at the original Purchaser's option, replace with a comparable product or refund the purchase price.**

Handling and transportation costs related to product warranty service only are covered by this warranty. This warranty does not cover damage resulting from improper handling, assembly, or installation, repairs made by others, accident, misuse, or abuse. Under no circumstances shall Teeter, or any other party involved in the sale of this product, have any liability for incidental or consequential damage arising from breach of an express or implied warranty on any Teeter product.

**EXCEPT AS SET FORTH ABOVE, NO WARRANTY IS GIVEN WITH RESPECT TO ANY TEETER PRODUCT, AND ALL EXPRESS WARRANTIES ARE DISCLAIMED.** This warranty shall be governed by the laws of the State of Washington, USA. To the extent this warranty is found not to be enforceable, it shall be deemed revised to the extent necessary to make it enforceable. This warranty and any controversy or claim arising out of this warranty or its interpretation shall be governed by the laws of the State of Washington, USA. Any controversy or claim arising out of or relating to this warranty, its interpretation, or any alleged breach thereof, which cannot be amicably settled between Teeter and the owner within sixty (60) days of written notice by the aggrieved party to the other, shall be finally settled by arbitration submitted to three (3) arbitrators selected from the panels of the arbitrators of the American Arbitration Association located closest to Teeter's principal place of business.

Some states do not allow the exclusion of incidental or consequential damage from a warranty, so the above limitation or exclusion may not apply to you. Some states do not allow limitations on how long an implied warranty lasts, so the above limitation may not apply to you. This warranty gives you specific legal rights, and you may also have other rights which may vary from state to state. This warranty is completely transferable to any and all future owners of this product, provided no alterations have been made to the product.

## HOW TO SUBMIT YOUR REGISTRATION:

### Step 1

Fill out this information for your own records.

\_\_\_\_\_   
 Date of Purchase

\_\_\_\_\_   
 Product & Model

\_\_\_\_\_   
 Dealer Name

\_\_\_\_\_   
 Serial No.

### Step 2

Go online to [teeter.com](http://teeter.com) to register your warranty.

If you are unable to go online, you can request a warranty card to be mailed to you by calling Customer Service at 800-847-0143. Please **DO NOT** mail this to Teeter.



PLEASE RETAIN THIS FOR YOUR RECORDS





Roger Teeter  
Founder & Innovator



If you have any trouble assembling the equipment, or questions about its use, please contact customer service.

**USA:** 800-847-0143 or [info@teeter.com](mailto:info@teeter.com)

**International:** [info@teeterintl.com](mailto:info@teeterintl.com)

Check out the selection of products and accessories available at [teeter.com](http://teeter.com)!

**USA:** Teeter  
9902 162<sup>nd</sup> St. Ct. E.  
Puyallup, WA 98375  
**Toll Free:** 800-847-0143  
**Fax:** 800-847-0188  
[teeter.com](http://teeter.com) | [info@teeter.com](mailto:info@teeter.com)

**International:** Teeter International, Ltd.  
Gor-Ray House  
758 Great Cambridge Rd  
Enfield  
Middlesex EN1 3GN  
United Kingdom  
[teeterintl.com](http://teeterintl.com) | [info@teeterintl.com](mailto:info@teeterintl.com)



Any modification to this device will void the UL Listing.



Medical Device Safety Service  
GmbH  
Schiffgraben 41  
30175 Hannover  
Germany  
Tel. +49 511 62628630

